

The product advantages



CombiCard 1000-3000 is a modular system which allows the assembly of individual enclosure configurations.



All front, basic and rear panel elements of the same size can be combined individually. Front and rear elements can also be assembled directly without a base element.



Mounting of the enclosure components is by means of tie bars. This results in an optimal relationship between the external dimensions and the usable interior space.



Special matching system accessories allow the fitting of 19" internal constructions. Mounting in control panels is also possible if a special basic element is used.



Different hinge options for the system components provide access to the electronics. To ensure optimal functioning, we recommend factory-fitting of the hinges.



Quick-Finder:
www.bopla.de/19

Examples of use



CombiCard 1000-3000

CombiSet 500



Colour:

Base parts:

● Light grey, similar to RAL 7035

Front cover FD...G: crystal clear

Front and back parts:

● Graphite grey, similar to RAL 7024

Special colours on request

Protection class:

Depending on the version up to
IP65 / DIN EN 60529

Material:

Enclosure: ABS; PC (only crystal clear lids)

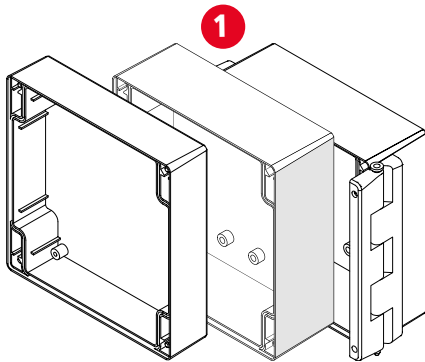
Seal: EPDM

For details see technical information.

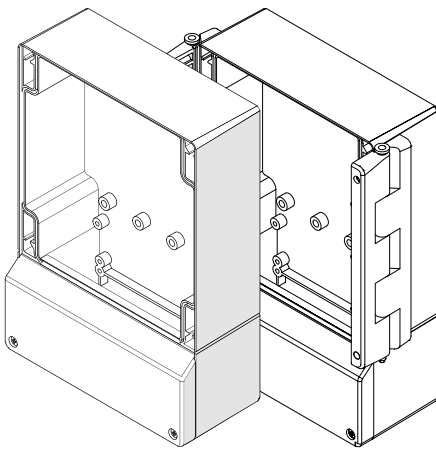


3 basic versions

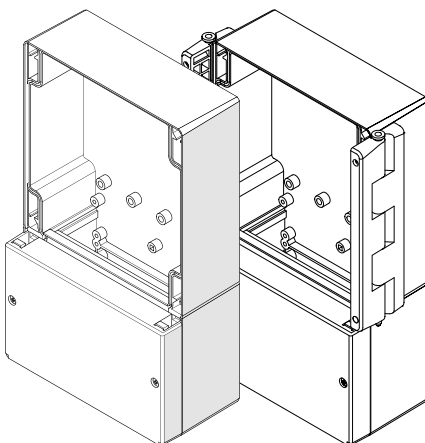
Rear lid



Rear lid, terminal compartment with and without hinge

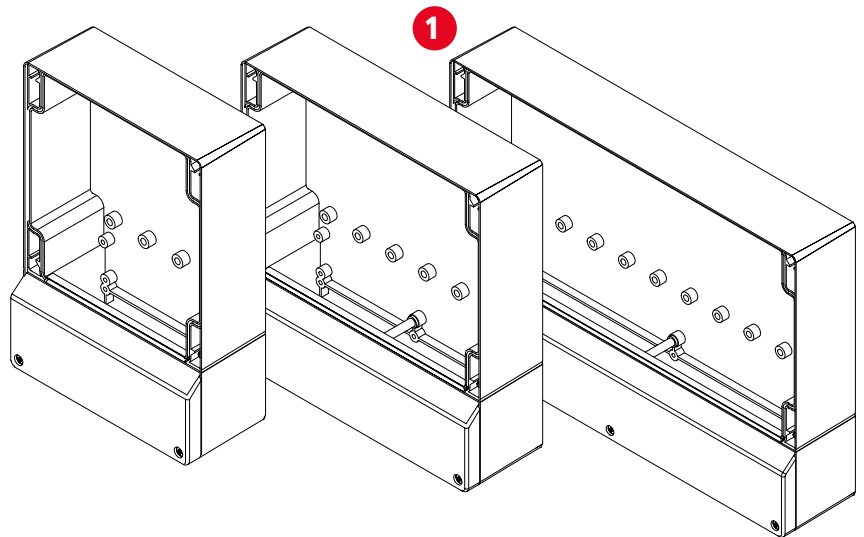


Rear lid, large terminal compartment with and without hinge



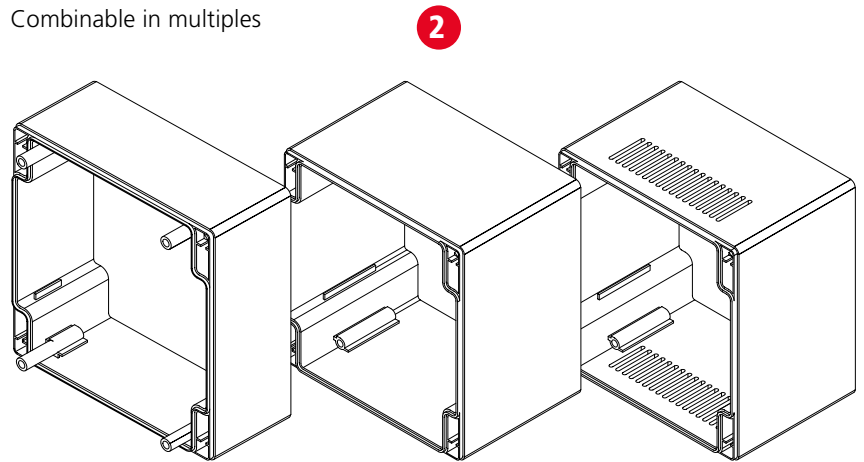
3 enclosure widths

CombiCard 1000 CombiCard 2000 CombiCard 3000

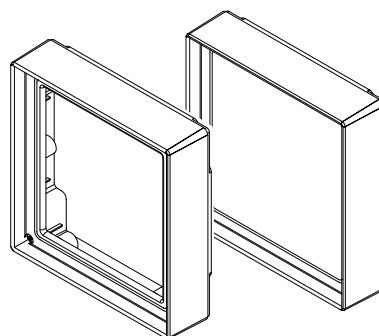


Basic elements

Combinable in multiples



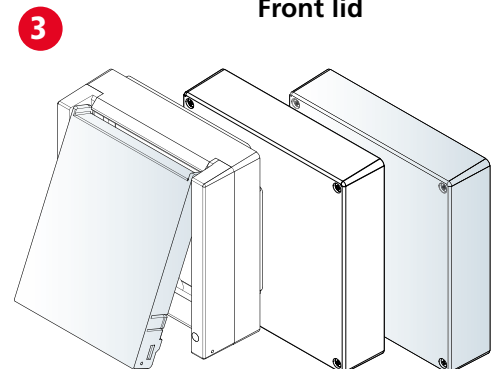
Front frame



FO front frame, open, with seal

FR front frames, closed, for membrane keypads

Front lid



FC...FP front frame with protective lid

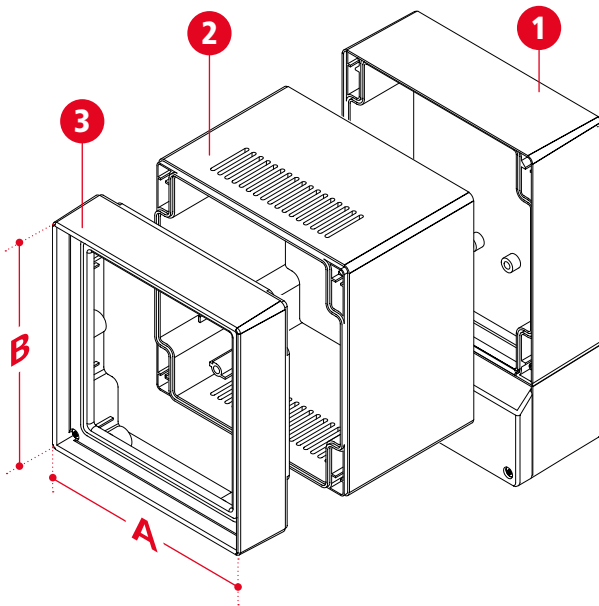
FD lid, closed
FD...G front crystal pure

CombiCard 1000-3000

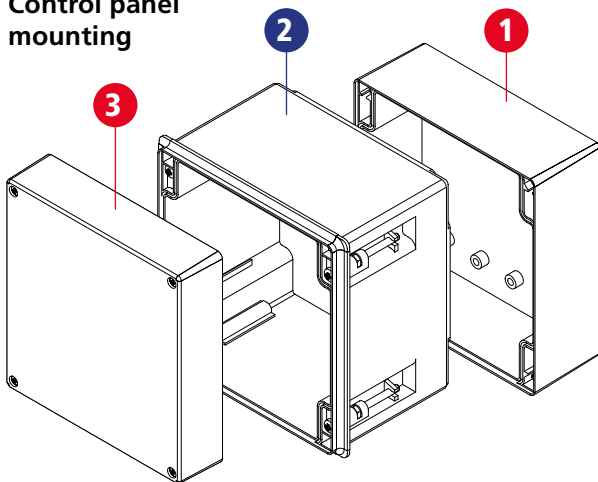
CombiSet 500

Design types

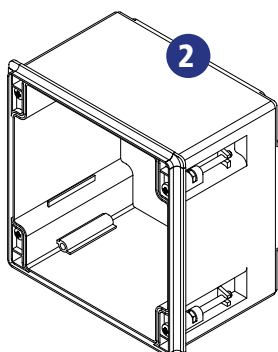
Standard construction



Control panel mounting



Basic element for control panel mounting



BC...NG

Dimensions

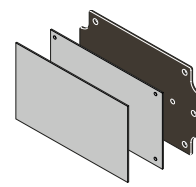
Model	A	B	C
Front frame			
FD 1000 (G)	133.4	138	34.1
FD 2000 (G)	184.2	138	34.1
FD 3000 (G)	280.72	138	34.1
FR 1000 / FO 1000	133.4	138	33.6
FR 2000 / FO 2000	184.2	138	33.6
FR 3000 / FO 3000	280.72	138	33.6
FCT 1000 FP	133.4	138	50
FCT 2000 FP	184.2	138	50
FCT 3000 FP	280.72	138	50
Basic element			
BC 1000 (L) / (NG)	133.4	138	87.5
BC 2000 (L) / (NG)	184.2	138	87.5
BC 3000 (L) / (NG)	280.72	138	87.5
BC 1000 N	133.4	138	51
BC 2000 N	184.2	138	51
BC 3000 N	280.72	138	51
Rear lid			
RD 1000	133.4	138	29.6
RD 2000	184.2	138	29.6
RD 3000	280.72	138	29.6
RD 1000 H / HSC	133.4	138	48
RD 2000 H / HSC	184.2	138	48
RD 3000 H / HSC	280.72	138	48
RD 1000 K / KSC	133.4	193	48
RD 2000 K / KSC	184.2	193	48
RD 3000 K / KSC	280.72	193	48
RD 1000 G-K / G-KSC	133.4	223	48
RD 2000 G-K / G-KSC	184.2	223	48
RD 3000 G-K / G-KSC	280.72	223	48

C = depending on the respective combination

Accessories



Cylinder lock for CC 500 TK / NGTK



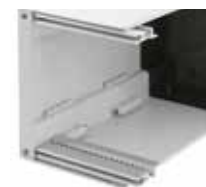
Front and mounting panels in different versions



19" internal construction for connector
DIN EN 60603-2



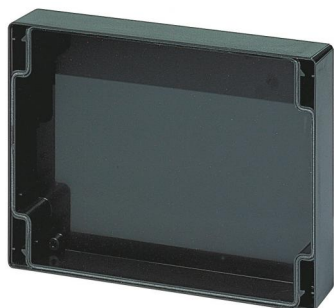
19" internal construction for backplane



19" front module rails for fixing 19" part front panels

CombiCard 1000-3000 / CombiSet 500

Rear lid



Rear lid, low, IP 65

Model	Order no.	A	B	C	a1	a2	c1	U	HP
RD 1000	19003900	133.4	138	29.6	126.2	106.2	26.1	3	20
RD 2000	19004000	184.2	138	29.6	177	157	26.1	3	30
RD 3000	19004100	280.72	138	29.6	273.52	253.52	-	3	49

Scope Of Delivery: Rear lid with seal, screws



Rear lid, high, IP 65

Model	Order no.	A	B	C	a1	a2	c1	U	HP
RD 1000 H	19004200	133.4	138	48	126.2	106.2	44.5	3	20
RD 2000 H	19004300	184.2	138	48	177	157	44.5	3	30
RD 3000 H	19004400	280.72	138	48	273.52	253.52	-	3	49

Scope Of Delivery: Rear lid with seal, screws



Rear lid, high, with hinges on both sides, IP 65

Model	Order no.	A	B	C	a1	a2	c1	U	HP
RD 1000 HSC	19004500*	133.4	138	48	126.2	106.2	44.5	3	20
RD 2000 HSC	19004600*	184.2	138	48	177	157	44.5	3	30
RD 3000 HSC	19004700*	280.72	138	48	273.52	253.52	44.5	3	49

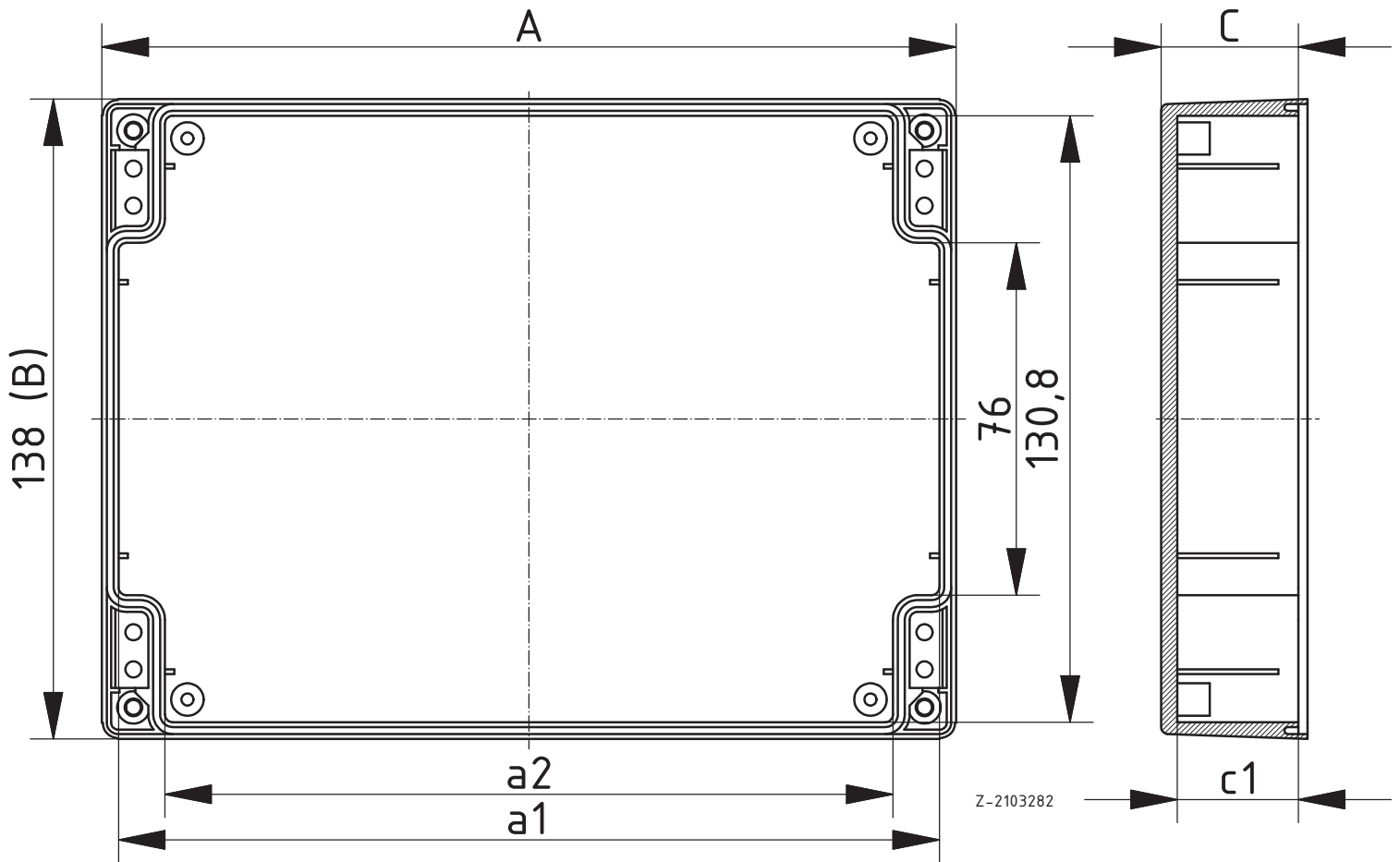
Scope Of Delivery: Rear lid with seal including moulded-on hinges on both sides and mounting material for attaching to the front-fitted system component.

Notes: We recommend factory mounting.



BOPLA

A Phoenix Mecano Company



CombiCard 1000-3000 / CombiSet 500

Rear lid



Rear lid with terminal compartment, IP 65

Model	Order no.	A	B	C	a1	a2	a3	U	HP
RD 1000 K	19004800	133.4	193	48	126.2	106.2	104.2	3	20
RD 2000 K	19004900	184.2	193	48	177	157	155	3	30
RD 3000 K	19005000	280.72	193	48	273.52	253.52	251.52	3	49

Scope Of Delivery: Rear lid, terminal compartment lid, seals, screws



Rear lid with large terminal compartment, IP 65

Model	Order no.	A	B	C	a1	a2	a3	U	HP
RD 1000 G-K	19131100	133.4	223	48	126.2	106.2	104.2	3	20
RD 2000 G-K	19231100	184.2	223	48	177	157	155	3	30
RD 3000 G-K	19331100	280.72	223	48	273.52	253.52	251.52	3	49

Scope Of Delivery: Rear lid, terminal compartment lid, seals, screws



Rear lid with terminal compartment and hinges on both sides, IP 65

Model	Order no.	A	B	C	a1	a2	a3	U	HP
RD 1000 KSC	19005100*	133.4	193	48	126.2	106.2	104.2	3	20
RD 2000 KSC	19005200*	184.2	193	48	177	157	155	3	30
RD 3000 KSC	19005300*	280.72	193	48	273.52	253.52	251.52	3	49

Scope Of Delivery: Rear lid, terminal compartment lid, seals, screws, hinge elements and mounting material for attaching to the front-fitted system component

Notes: We recommend factory mounting.



Rear lid with large terminal compartment and hinges on both sides, IP 65

Model	Order no.	A	B	C	a1	a2	a3	U	HP
RD 1000 G-KSC	19131200*	133.4	223	48	126.2	106.2	104.2	3	20
RD 2000 G-KSC	19231200*	184.2	223	48	177	157	155	3	30
RD 3000 G-KSC	19331200*	280.72	223	48	273.52	253.52	251.52	3	49

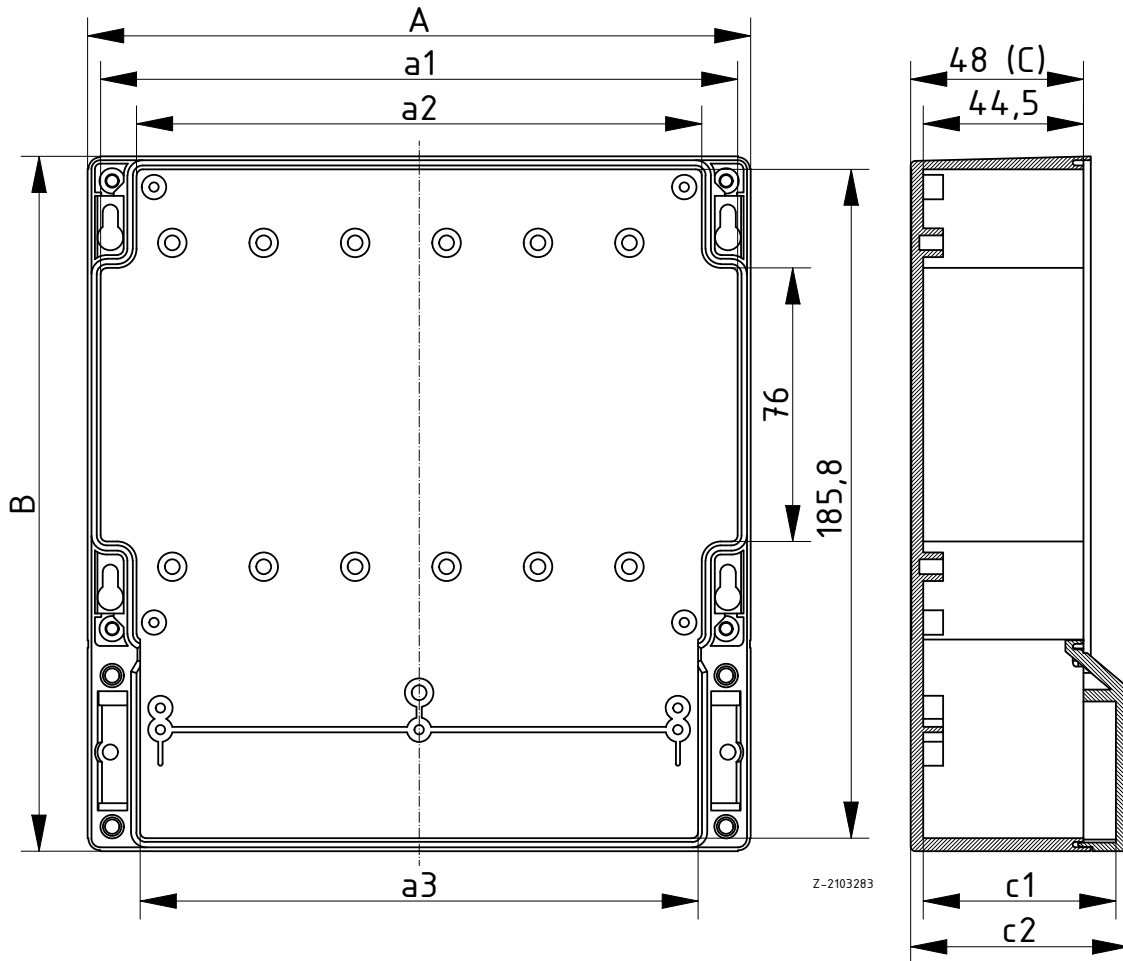
Scope Of Delivery: Rear lid, terminal compartment lid, seals, screws, hinge elements and mounting material for attaching to the front-fitted system component

Notes: We recommend factory mounting.



BOPLA

A Phoenix Mecano Company



CombiCard 1000-3000 / CombiSet 500

Basic elements



Basic element, IP 65

Model	Order no.	A	B	C	a1	a2	U	HP
BC 1000	19000100	133.4	138	87.5	126.2	106.2	3	20
BC 2000	19000200	184.2	138	87.5	177	157	3	30
BC 3000	19000300	280.72	138	87.5	273.52	253.52	3	49

Scope Of Delivery: Basic element with seal



Basic element with air vents, IP 30

Model	Order no.	A	B	C	a1	a2	U	HP
BC 1000 L	19000400	133.4	138	87.5	126.2	106.2	3	20
BC 2000 L	19000500	184.2	138	87.5	177	157	3	30
BC 3000 L	19000600	280.72	138	87.5	273.52	253.52	3	49

Scope Of Delivery: Basic element with air vents, without seal



Basic element, low, IP 65

Model	Order no.	A	B	C	a1	a2	U	HP
BC 1000 N	19000110	133.4	138	51	126.2	106.2	3	20
BC 2000 N	19000230	184.2	138	51	177	157	3	30
BC 3000 N	19000310	280.72	138	51	273.52	253.52	3	49

Scope Of Delivery: Basic element with seal

Notes: A tie bar set ZA...N must be used in connection with a basic element BC...N. If two or more BC...N elements are used in a configuration, a special tie bar – available on request – must be used.



Basic element for control panel mounting, IP 65

Model	Order no.	A	B	C	a1	a2	U	HP
BC 1000 NG	19001900	133.4	138	87.5	126.2	106.2	3	20
BC 2000 NG	19002000	184.2	138	87.5	177	157	3	30
BC 3000 NG	19001910	280.72	138	87.5	273.52	253.52	3	49

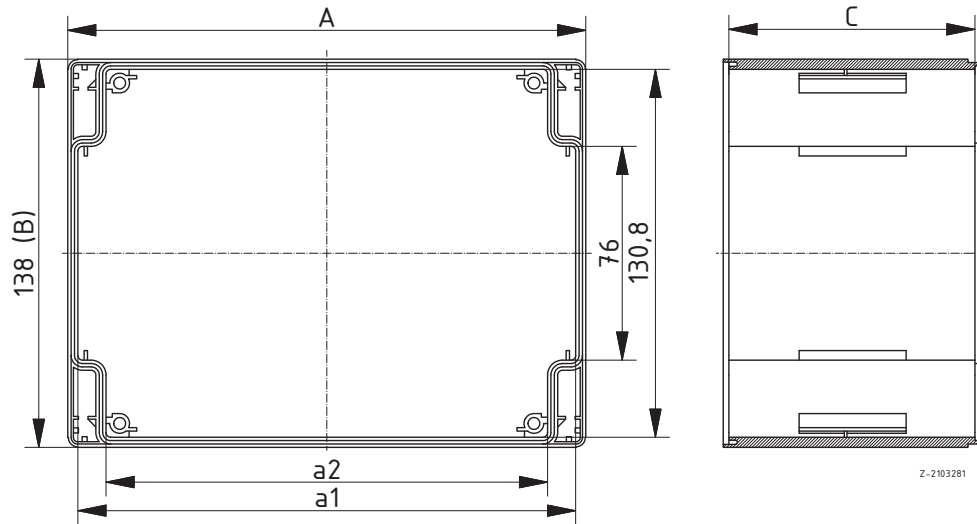
Scope Of Delivery: Basic element with seal including integrated assembly kit for control panel mounting

Notes: The degree of protection refers to the enclosure, not to the place of installation. DIN IEC 61554 dimensions
BC 1000 NG: 144 x 144 mm BC 2000 NG: 192 x 144 mm BC 3000 NG: 288 x 144 mm



BOPLA

A Phoenix Mecano Company



CombiCard 1000-3000 / CombiSet 500

Fronts



Front lid, IP 65

Model	Order no.	A	B	C	a1	a2	U	HP
FD 1000	19002700	133.4	138	34.1	126.2	106.2	3	20
FD 2000	19002800	184.2	138	34.1	177	157	3	30
FD 3000	19002900	280.72	138	34.1	273.52	253.52	3	49

Scope Of Delivery: Front lid, screws

Notes: Hinges, lock and knurled screws as accessories.

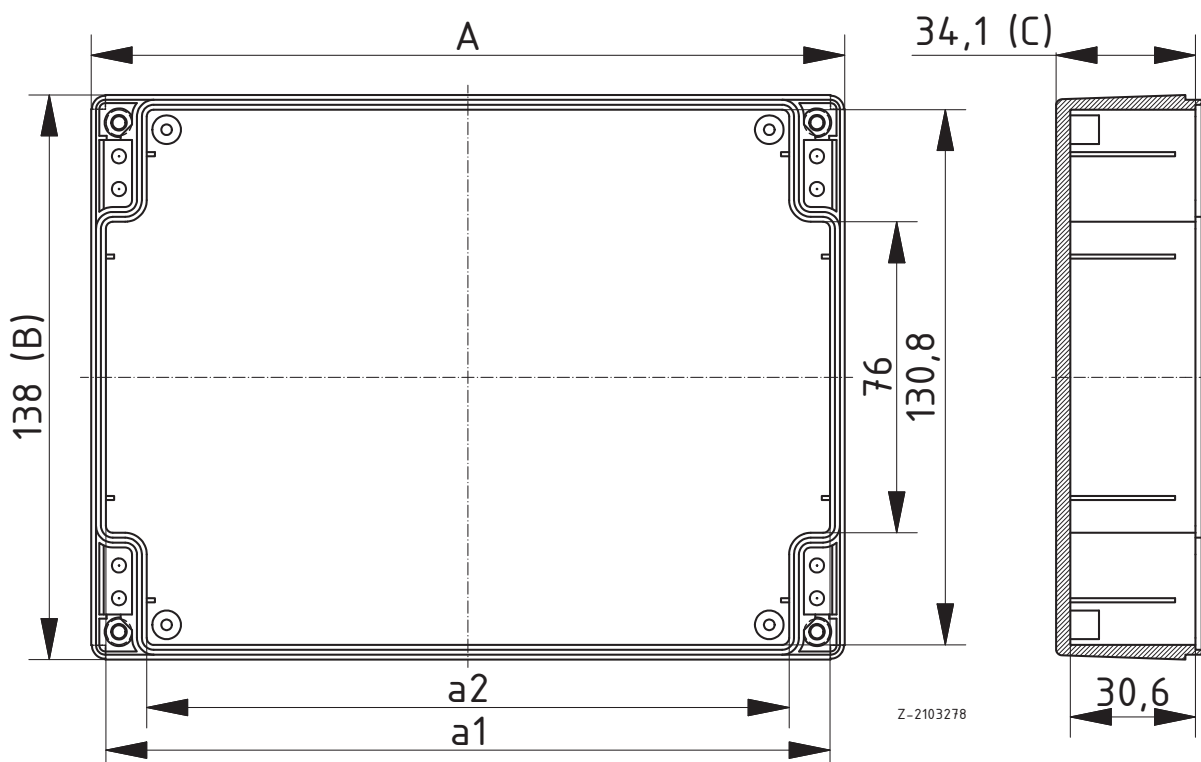


Front lid, crystal-clear, IP 65

Model	Order no.	A	B	C	a1	a2	U	HP
FD 1000 G	19003000	133.4	138	34.1	126.2	106.2	3	20
FD 2000 G	19003100	184.2	138	34.1	177	157	3	30
FD 3000 G	19003200	280.72	138	34.1	273.52	253.52	3	49

Scope Of Delivery: Front lid, screws

Notes: Hinges, lock and knurled screws as accessories.



CombiCard 1000-3000 / CombiSet 500

Fronts

Closed front frame for accommodating membrane keypads, IP 65

Model	Order no.	A	B	C	a1	a2	U	HP
FR 1000	19002400	133.4	138	33.6	126.2	99.2	3	20
FR 2000	19002500	184.2	138	33.6	170	150	3	30
FR 3000	19002600	280.72	138	33.6	273.52	246.52	3	49

Scope Of Delivery: Closed front frame, screws

Notes: Hinges, lock and knurled screws as accessories.

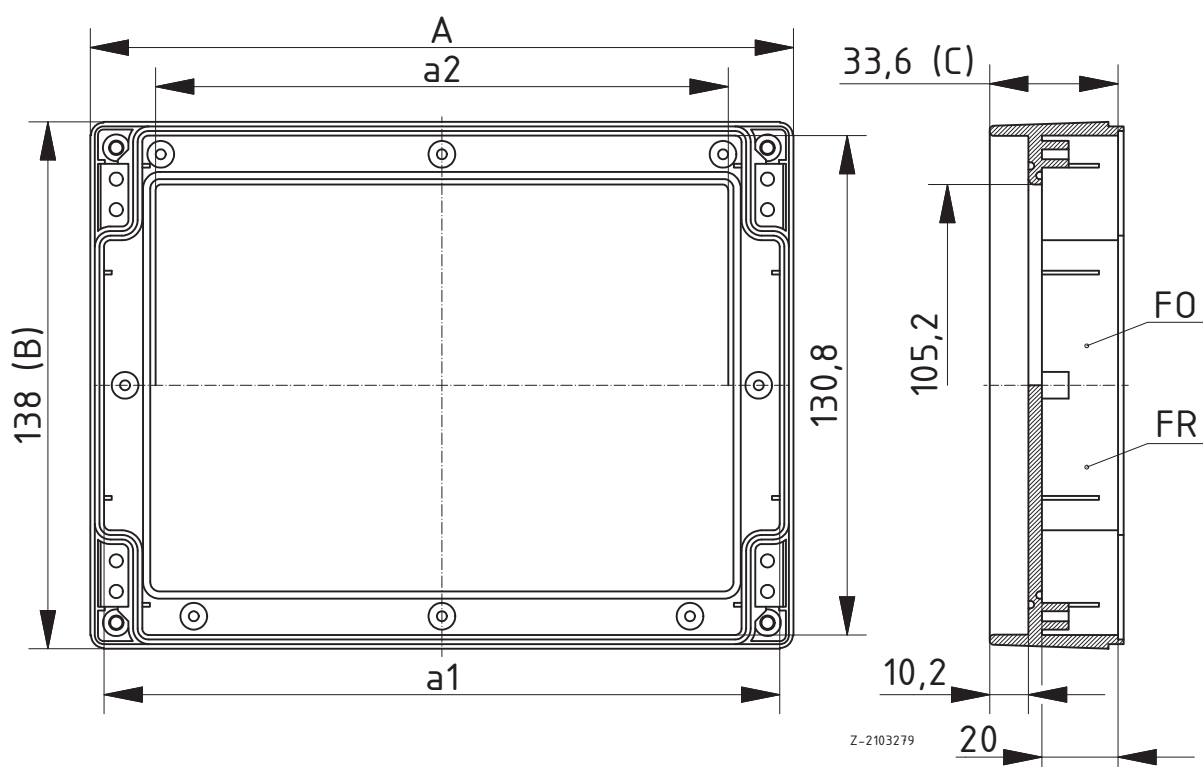


Open front frame, IP 65 / IP 40

Model	Order no.	A	B	C	a1	a2	U	HP
FO 1000	19002100	133.4	138	33.6	126.2	99.2	3	20
FO 2000	19002200	184.2	138	33.6	177	150	3	30
FO 3000	19002300	280.72	138	33.6	273.52	246.52	3	49

Scope Of Delivery: Open front frame, screws, mounting material and seal for front panel FP...AI

Notes: Hinges, lock, knurled screws and front panels as accessories. IP 65 with FP...AI; IP 40 with FP...AA.



CombiCard 1000-3000 / CombiSet 500

Fronts



Open front frame with protective door, IP 65 / IP 20

Model	Order no.	A	B	C	a1	a2	U	HP
FCT 1000 FP	19005700*	133.4	138	50	127.4	99.2	3	20
FCT 2000 FP	19006100*	184.2	138	50	178.2	150	3	30
FCT 3000 FP	19006500	280.72	138	50	274.72	246.52	3	49

Scope Of Delivery: Open front frame with snap-on protective door, screws, mounting material and seal for front panel FP...AI

Notes: Front panels as accessories. IP 65 for connection module; IP 20 for protective door. Only guaranteed in closed state.

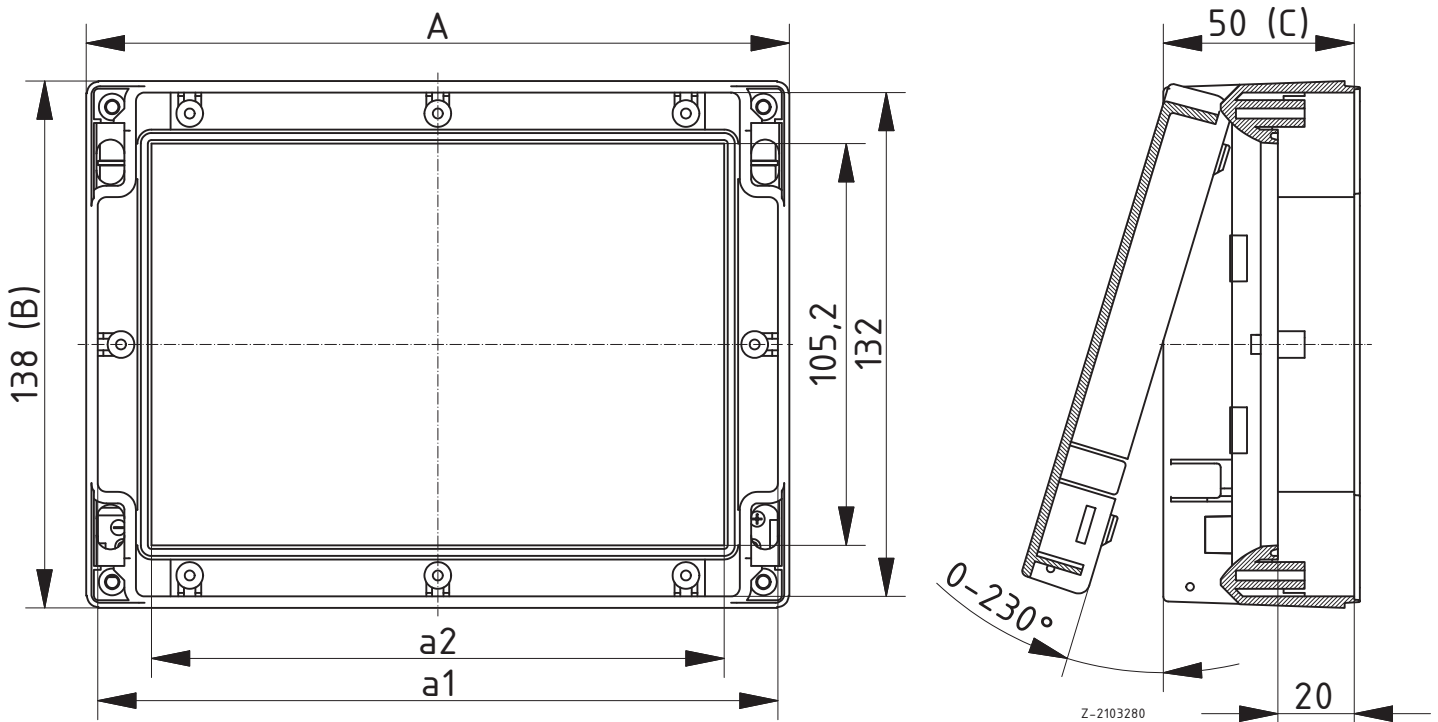


Cylinder lock

Model	Order no.
SCHLO-101	21008300

Scope Of Delivery: 1 lock, 2 keys

Notes: 2 cylinder catches are needed for secure locking.



CombiCard 1000-3000 / CombiSet 500

Front and mounting panels

External front panels for FO..., 2 mm, natural-coloured anodised aluminium, IP 40

Model	Order no.
FP 1000 AA	39103000*
FP 2000 AA	39104000*
FP 3000 AA	39105000*

Scope Of Delivery: 1 front panel, fixing material



Internal front panels for FO..., 2 mm, natural-coloured anodised aluminium, IP 65

Model	Order no.
FP 1000 AI	39100000
FP 2000 AI	39101000
FP 3000 AI	39102000

Scope Of Delivery: 1 front panel



Front panels for BC..., 2 mm, natural-coloured, anodised aluminium, IP 40

Model	Order no.
FA 1000	39106000*
FA 2000	39107000*
FA 3000	39108000*

Scope Of Delivery: 1 front panel, fixing material

Notes: Please use special tie bar sets.



Internal front panels for BC... in connection with 1 front, 2 mm, natural-coloured anodised aluminium

Model	Order no.
FA 1000 I	39109000*
FA 2000 I	39110000*
FA 3000 I	39111000*

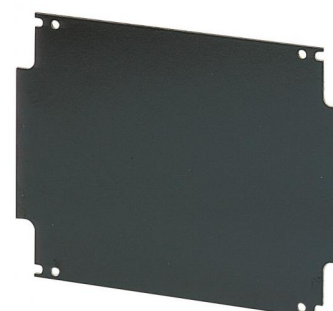
Scope Of Delivery: 1 front panel, fixing material



Mounting plate for rear lid, laminated paper

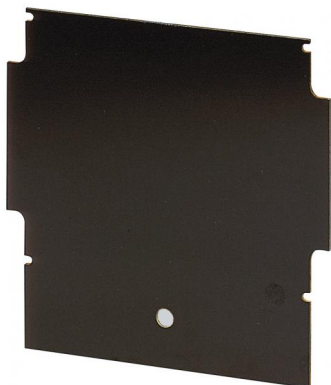
Model	Order no.
MR 1000	39700000
MR 2000	39701000
MR 3000	39702000

Scope Of Delivery: 1 mounting panel, fixing material



CombiCard 1000-3000 / CombiSet 500

Front and mounting panels



Mounting plate for rear lid with terminal compartment, laminated paper

Model	Order no.
MR 1000 K	39703000
MR 2000 K	39704000
MR 3000 K	39705000

Scope Of Delivery: 1 mounting panel, fixing material

CombiCard 1000-3000 / CombiSet 500

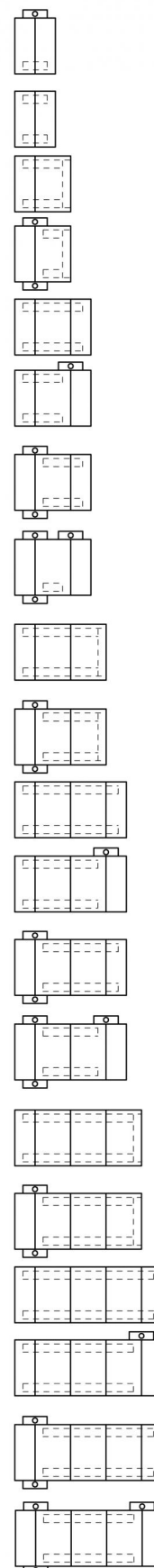
Tie bar

Tie bar for mounting the fronts, Basic elements (height 87.5 mm) and rear lid

Model	Order no.	Note
ZA 0050	39900000	For 1 front element, 1 rear element, with hinge on one side
ZA 0100	39901000	For 1 front element and 1 rear element
ZA 0200	39902000	For 1 rear element, 1 base element and 1 aluminium front panel
ZA 0300	39903000*	For 1 rear element, 1 base element and 1 aluminium front panel, with rear hinge on both sides
ZA 0400	39904000	For 1 rear element, 1 base element and 1 front element
ZA 0500	39905000	For 1 rear element, 1 base element and 1 front element, with front hinge on one side
ZA 0600	39906000	For 1 rear element, 1 base element and 1 front element, with rear hinge on both sides
ZA 0700	39907000	For 1 rear element, 1 base element and 1 front element, with rear hinge on both sides and front hinge on one side
ZA 0800	39908000	For 1 rear element, 2 base elements and 1 aluminium front panel or 19" IB
ZA 0900	39909000*	For 1 rear element, 2 base elements and 1 aluminium front panel or 19" IB with rear hinge on both sides
ZA 0010	39910000	For 1 rear element, 2 base elements and 1 front element
ZA 0110	39911000	For 1 rear element, 2 base elements and 1 front element, with front hinge on one side
ZA 0120	39912000*	For 1 rear element, 2 base elements and 1 front element, with rear hinge on both sides
ZA 0130	39913000	For 1 rear element, 2 base elements and 1 front element, with rear hinge on both sides and front hinge on one side
ZA 0140	39914000*	For 1 rear element, 3 base elements and 1 aluminium front panel or 19" IB
ZA 0150	39915000*	For 1 rear element, 3 base elements and 1 aluminium front panel or 19" IB with rear hinge on both sides
ZA 0160	39916000*	For 1 rear element, 3 base elements and 1 front element
ZA 0170	39917000*	For 1 rear element, 3 base elements and 1 front element, with front hinge on one side
ZA 0180	39918000*	For 1 rear element, 3 base elements and 1 front element, with rear hinge on both sides
ZA 0190	39919000*	For 1 rear element, 3 base elements and 1 front element, with rear hinge on both sides and front hinge on one side

Scope Of Delivery: 1 tie bar set

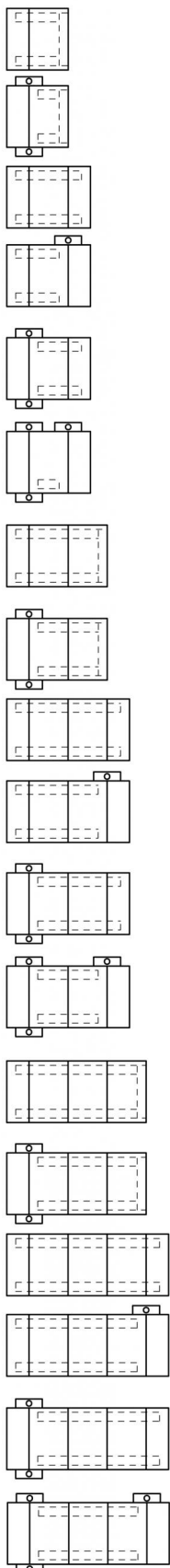
Notes: If only 87.5 mm high basic elements are contained in the configuration, a tie bar set without "N" must be used.



CombiCard 1000-3000 / CombiSet 500

Tie bar

N tie bars for mounting of the fronts, Basic elements BC...N (height 51 mm) and rear lid



Model	Order no.	Note
ZA 0200 N	39902100	For 1 rear element, 1 base element and 1 aluminium front panel
ZA 0300 N	39903100*	For 1 rear element, 1 base element and 1 aluminium front panel, with rear hinge on both sides
ZA 0400 N	39904100	For 1 rear element, 1 base element and 1 front element
ZA 0500 N	39905100	For 1 rear element, 1 base element and 1 front element, with front hinge on one side
ZA 0600 N	39906100	For 1 rear element, 1 base element and 1 front element, with rear hinge on both sides
ZA 0700 N	39907100	For 1 rear element, 1 base element and 1 front element, with rear hinge on both sides and front hinge on one side
ZA 0800 N	39908100	For 1 rear element, 2 base elements and 1 aluminium front panel or 19" IB
ZA 0900 N	39909100*	For 1 rear element, 2 base elements and 1 aluminium front panel or 19" IB with rear hinge on both sides
ZA 0010 N	39910100	For 1 rear element, 2 base elements and 1 front element
ZA 0110 N	39911100	For 1 rear element, 2 base elements and 1 front element, with front hinge on one side
ZA 0120 N	39912100*	For 1 rear element, 2 base elements and 1 front element, with rear hinge on both sides
ZA 0130 N	39913200	For 1 rear element, 2 base elements and 1 front element, with rear hinge on both sides and front hinge on one side
ZA 0140 N	39914100*	For 1 rear element, 3 base elements and 1 aluminium front panel or 19" IB
ZA 0150 N	39915100*	For 1 rear element, 3 base elements and 1 aluminium front panel or 19" IB with rear hinge on both sides
ZA 0160 N	39916100*	For 1 rear element, 3 base elements and 1 front element
ZA 0170 N	39917100	For 1 rear element, 3 base elements and 1 front element, with front hinge on one side
ZA 0180 N	39918100*	For 1 rear element, 3 base elements and 1 front element, with rear hinge on both sides
ZA 0190 N	39919100*	For 1 rear element, 3 base elements and 1 front element, with rear hinge on both sides and front hinge on one side

Scope Of Delivery: 1 tie bar set

Notes: If the configuration includes a BC...N basic element, a tie bar set "N" is needed. If two or more BC...N elements are included, a special tie bar – available on request – must be used.

CombiCard 1000-3000 / CombiSet 500

Hinges

Front lid hinge, light grey, for fronts and basic elements or fronts and rear lids

Model	Order no.
SC 1230	39500000

Scope Of Delivery: 1 hinge

Notes: Opening angle approx. 135°. Not for use with BC...NG.



Front lid hinge, light grey, for fronts and basic elements for control panel mounting

Model	Order no.
SC 1230 NG	39501000

Scope Of Delivery: 1 hinge

Notes: Opening angle approx. 100°. Mounting on the BC...NG must take place in the factory.



Rear lid hinge, graphite grey, for basic elements and rear lid

Model	Order no.
SC 1230 R	39503000

Scope Of Delivery: 1 hinge

Notes: Opening angle approx. 135°. When mounted on a wall, can only be used with lock. Use tie bars in same way as with rear-mounted double hinge.



Rear lid hinges on both sides, graphite grey, for basic elements and rear lid

Model	Order no.
DSC 1230	39502000

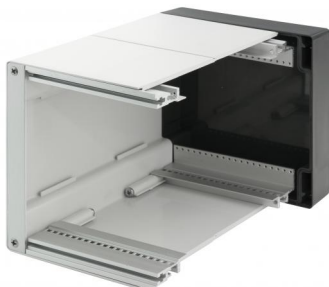
Scope Of Delivery: 2 hinges

Notes: Opening angle approx. 135°.



CombiCard 1000-3000 / CombiSet 500

19" accessories



19" internal construction for connectors DIN EN 60603-2 with blind front panels for basic element without front

Model	Order no.	Note
IB 1000.12	39200000	20 HP
IB 2000.12	39201000	30 HP
IB 3000.12	39202000	49 HP

Scope Of Delivery: 1 extension set

Notes: Please order tapped strip GS... for front panel fixing separately. Please use special tie bar sets. For part front panels / plug-in units, see chapter about Interzoll Modul / Interzoll.



19" internal construction for backplane with blind front panels for basic element without front

Model	Order no.	Note
IB 1000 PI	39206000	20 HP
IB 2000 PI	39207000	30 HP
IB 3000 PI	39208000	49 HP

Scope Of Delivery: 1 extension set

Notes: Please order tapped strip GS... for front panel fixing separately. Please use special tie bar sets. For part front panels / plug-in units, see chapter about Interzoll Modul / Interzoll.

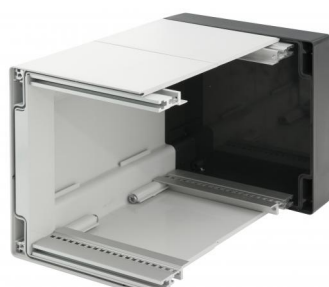


19" internal construction for connectors DIN EN 60603-2 if a front lid is used

Model	Order no.	Note
IL 1000.12	39209000	20 HP
IL 2000.12	39210000	30 HP
IL 3000.12	39211000	49 HP

Scope Of Delivery: 1 extension set

Notes: Please order tapped strip GS... for front panel fixing separately. For part front panels / plug-in units, see chapter about Interzoll Modul / Interzoll.



19" internal construction for backplane if a front lid is used

Model	Order no.	Note
IL 1000 PI	39215000	20 HP
IL 2000 PI	39216000	30 HP
IL 3000 PI	39217000	49 HP

Scope Of Delivery: 1 extension set

Notes: Please order tapped strip GS... for front panel fixing separately. For part front panels / plug-in units, see chapter about Interzoll Modul / Interzoll.

CombiCard 1000-3000 / CombiSet 500

19" accessories

19" front module rails for fixing 19" part front panels with blind front panels for basic element without front

Model	Order no.	Note
IB 1000 F	39218000*	20 HP
IB 2000 F	39219000	30 HP
IB 3000 F	39220000	49 HP

Scope Of Delivery: 1 extension set

Notes: Please order tapped strip GS... for front panel fixing separately. For part front panels / plug-in units, see chapter about Interzoll Modul / Interzoll.



Tapped strips for 19" internal constructions and front module rails

Model	Order no.	Note
GS 1000	39800000	20 HP
GS 2000	39801000	30 HP
GS 3000	39802000	49 HP

Scope Of Delivery: 1 set = 2 pieces



Card guides for 19" internal constructions

Model	Order no.
KF 1230	39302000

Scope Of Delivery: PU = 10 pieces



Card retainers for card guides KF 1230

Model	Order no.
KS 1230	39301000

Scope Of Delivery: PU = 10 pieces



CombiCard 1000-3000 / CombiSet 500

Accessories



Handle

Model	Order no.
HS 1000	39601020
HS 2000	39602020
HS 3000	39603020

Scope Of Delivery: HS: Handle side parts (PA6), seals, screws HSP: profile (aluminium)

Notes: Cannot be used in combination with a hinge in the handle area. The maximum load of the handle is 300 N. Processing of the enclosure on request.



Tip-up feet, polyamide

Model	Order no.	Note
AB 1230	39603000	Including 4 sheet metal screws

Scope Of Delivery: Set-up foot set (2 fixed and 2 hinged feet), fixing material

Notes: Processing of the enclosure on request.



Cylinder lock for FD...(G) with SC 1230 (NG) or rear lid with SC 1230 R

Model	Order no.
Z 1230	39806000

Scope Of Delivery: 1 lock, 2 keys

Notes: Enclosure processing and mounting of the counter piece must take place in the factory.



Knurled screws for fronts or rear lids

Model	Order no.
RS 1230	39805000

Scope Of Delivery: 1 set = 2 pieces

Notes: For use as an alternative to the standard screw.

CombiCard 1000-3000 / CombiSet 500

Accessories

Hinge to prevent loss of the terminal compartment lid

Model	Order no.
SC G-K	39500600

Scope Of Delivery: 1 set = 2 pieces

Notes: Only for use with RD...GK(SC).



Wall frame for low rear lid

Model	Order no.
WR 1000	39604000
WR 2000	39605000
WR 3000	39606000

Scope Of Delivery: 1 wall frame, 4 screws, 4 tie bars (for SC version)



Wall frame for high rear lid and rear lid with terminal compartment

Model	Order no.
WR 1000 H	39607000
WR 2000 H	39608000
WR 3000 H	39609000

Scope Of Delivery: 1 wall frame, 4 screws, 4 tie bars (for SC version)



CombiCard 1000-3000 / CombiSet 500

CC 500 Enclosures



CC 500

Model	Order no.	A	B	C	U	HP	Note
CC 500	19050000	68	136	225.5	3	12	12 HP useful width

Scope Of Delivery: Base element and rear element, upper and lower guide blocks, tapped strips, screws

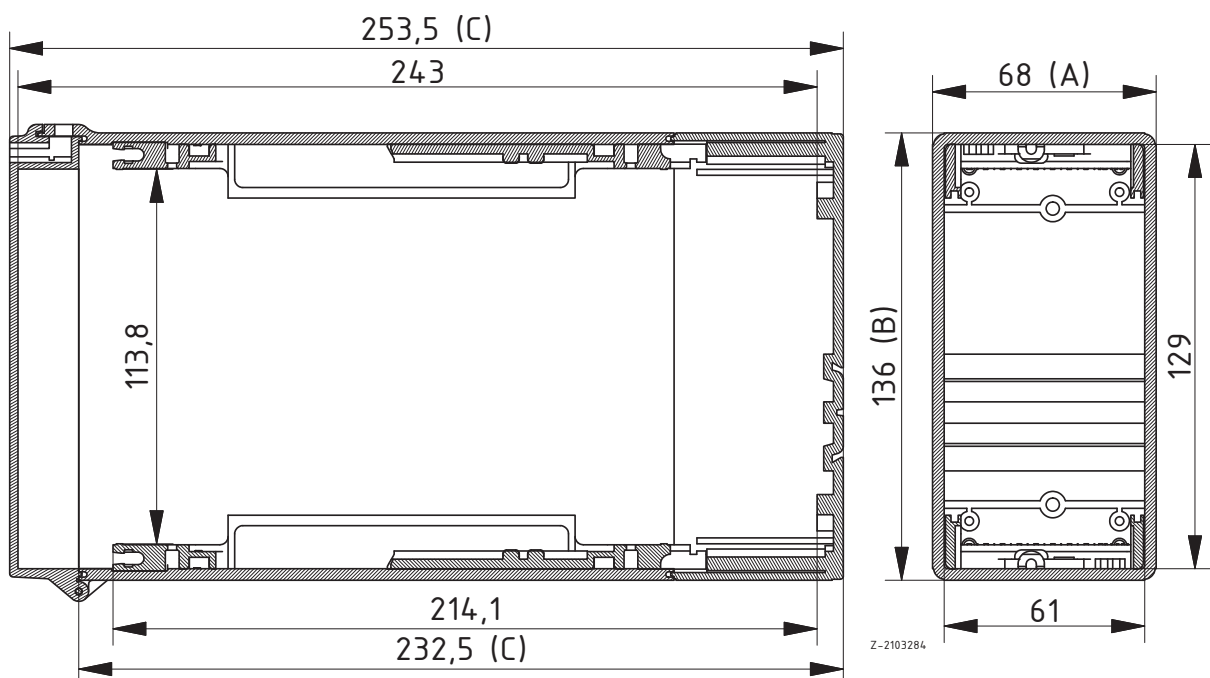


CC 500 with hinged front, crystal-clear, IP 65

Model	Order no.	A	B	C	U	HP	Note
CC 500 TK	19050101	68	145	253.5	3	12	12 HP useful width

Scope Of Delivery: Base element and rear element, upper and lower guide blocks, crystal-clear front door, hinged with lock, tapped strips, screws

Notes: IP protection class is only guaranteed when the front door is closed.



CombiCard 1000-3000 / CombiSet 500

CC 500 Enclosures

CC 500 for control panel mounting

Model	Order no.	A	B	C	U	HP	Note
CC 500 NG	19050200	68	156.7	225.5	3	12	12 HP useful width

Scope Of Delivery: Base element with moulded-on mounting frame, rear element, upper and lower guide blocks, retaining clasps, tapped strips, screws

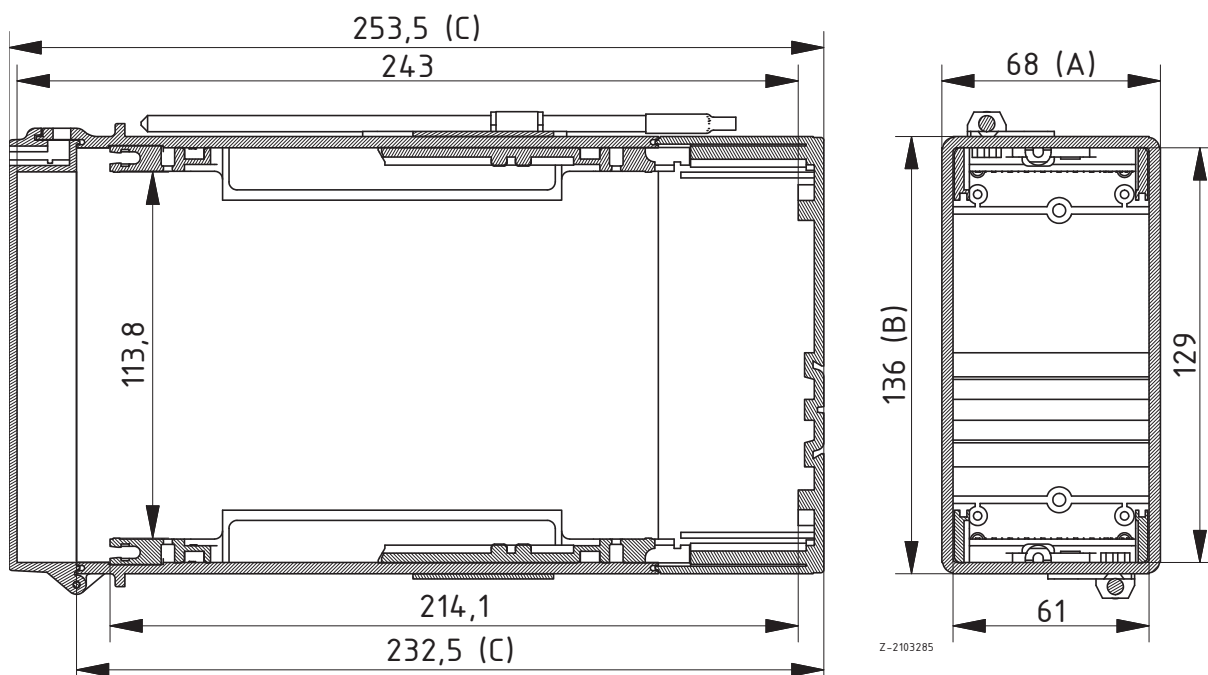


CC 500 for control panel mounting, with hinged front, crystal-clear, IP 65

Model	Order no.	A	B	C	U	HP	Note
CC 500 NGTK	19050301	68	156.7	253.5	3	12	12 HP useful width

Scope Of Delivery: Base element with moulded-on mounting frame, rear element, upper and lower guide blocks, crystal-clear front door, hinged with lock, retaining clasps, tapped strips, screws

Notes: IP protection class is only guaranteed when the front door is closed.



CombiCard 1000-3000 / CombiSet 500

CC 500 Enclosures



Wall frame for CC 500

Model	Order no.
CC 500 WR	39001000

Scope Of Delivery: Wall frame, 4 screws



Snap foot for top hat rails DIN EN 60715 TH 35 for insertion into the grooves in the rear lid, polyamide

Model	Order no.
CC 500 TS	39005000

Scope Of Delivery: 1 rail snap foot



Cylinder catch for CC 500 TK / NGTK

Model	Order no.	Note
SHLO-302	21008310	Cylinder lock

Scope Of Delivery: 1 cylinder catch



Mounting set for connectors DIN EN 60603-2 (previously DIN 41612), aluminium

Model	Order no.
CC 500 MS	39004000

Scope Of Delivery: Mounting set

Notes: Mounting is on the integrated guide blocks.



Card guides for the pre-fitted card guide blocks, polyamide

Model	Order no.
KF 1230	39302000

Scope Of Delivery: 10 pieces



Card retainers for card guides KF 1230

Model	Order no.
KS 1230	39301000

Scope Of Delivery: 10 pieces



BOPLA

A Phoenix Mecano Company