

The product advantages



Euromas Alu is an especially robust classic cast aluminium industrial enclosure. If required, the colour of the powder coating can be selected to match the application.



The foamed seal ensures a high protection class. Alternatively, higher temperature resistance can be achieved with a silicone seal. On request, a special EMC version is available which ensures a conductive connection between the lid and the base.



If required, a transparent lid allows a user to see inside the enclosure.



Circuit boards and DIN rails can be mounted in the base by using pre-cut threads. Earthing screws are included as standard in the scope of delivery.



Special versions with an FO5 mounting flange for applications on actuators and valves.



Quick-Finder:
www.bopla.de/01

Examples of use





BOPLA

A Phoenix Mecano Company

Euromas Alu | F05



Colour:

● Silver grey, similar to RAL 7001

Special colours on request

Protection class:

IP66 / DIN EN 60529;

Higher protection class on request

Material:

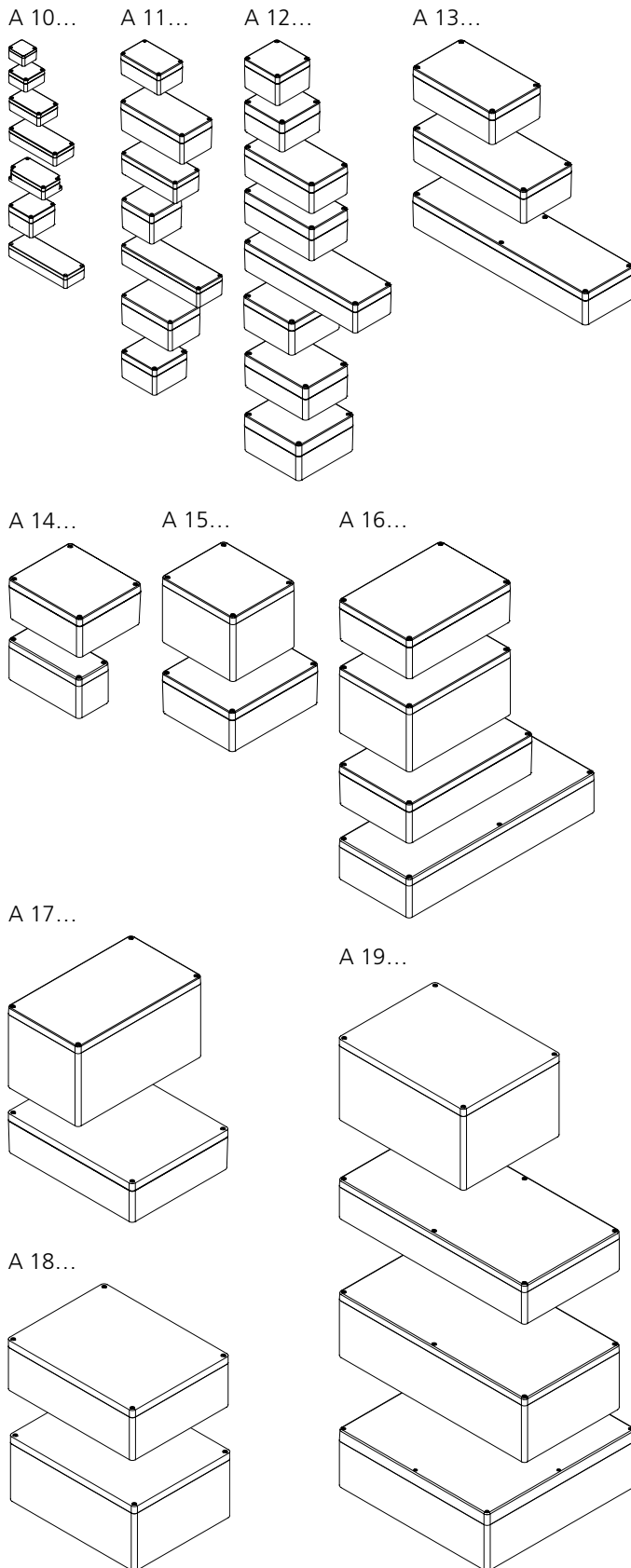
Enclosure: G Al Si 12

Seal: PU foamed

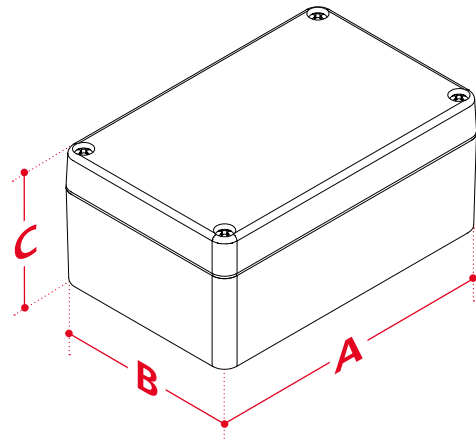
For details see technical information.



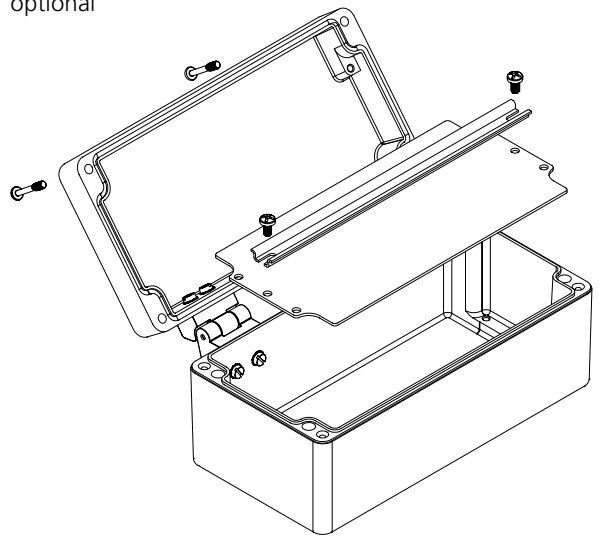
Enclosure sizes



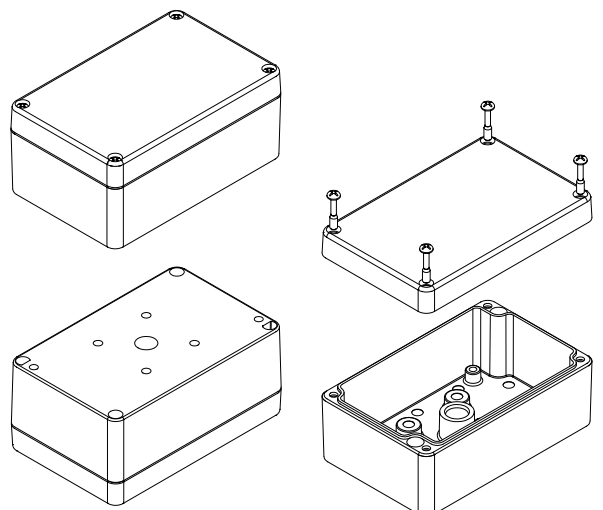
Design types



Variant with hinge
optional



Variant with F05 holder
V 215 F05



**BOPLA**

A Phoenix Mecano Company

Euromas Alu | F05

Accessories



Sealed capstan-headed screws



Hexagon socket screw (can be sealed)



Set of hinges



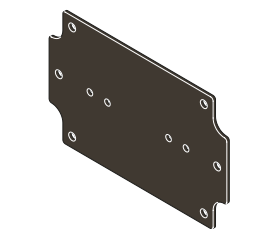
Wall brackets for screwing-on from the rear



Earthing bars with mounted terminal clamps



Mast mounting

DIN rails
TH 15, G 32, TH 35Mounting panels
in different versions

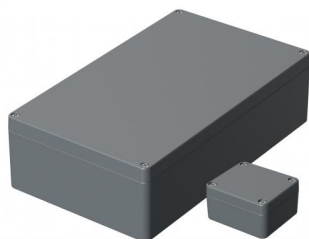
Dimensions

Model	A	B	C	SIL*
A 100	50	45	30	✓
A 101	58	64	34	✓
A 102	98	64	34	✓
A 103	150	64	34	✓
A 104	115	64	34.5	✓
A 105	75	80	57	✓
A 106	185.5	64	34.5	✓
A 110	125	80	57	✓
A 110 F05	125	80	57	
A 114	200	100	81	✓
A 115	175	80	57	✓
A 116	100	100	81	✓
A 117	250	80	52	✓
A 118	160	100	81	✓
A 119	122	120	81	✓
A 120	122	120	91	✓
A 121	140	140	91	✓
A 122	220	120	81	✓
A 123	220	120	91	✓
A 124	360	120	81	✓
A 125	160	160	91	✓
A 126	200	140	91	✓
A 127	180	180	101	✓
A 130	260	160	91	✓
A 131	280	180	101	✓
A 135	360	160	91	✓
A 138	560	160	91	✓
A 140	200	230	111	✓
A 145	230	100	111	✓
A 150	200	230	180	✓
A 155	280	230	111	✓
A 160	330	230	111	✓
A 165	330	230	181	✓
A 168	400	230	111	✓
A 169	600	230	111	✓
A 170	400	230	225	✓
A 175	400	310	111	✓
A 180	400	310	141	✓
A 185	400	310	181	✓
A 190	400	310	227	✓
A 196	600	310	111	✓
A 197	600	310	181	✓
A 198	600	600	202.5	✓

*SIL = with silicone lid seal

Euromas Aluminium / Euromas F05

Enclosure



Enclosure, aluminium

Model	Order no.	A	B	C	a1	a2	b1	b2	b3	c1	c2
A 100	01100000	50	45	30	44	30	39	25	-	6	25
A 101	01101000	58	64	34	50.5	34	56.8	32	-	9	28.5
A 102	01102000	98	64	34	90.5	74	56.8	32	-	9	28.5
A 103	01103000	150	64	34	142.5	126	56.8	32	-	9	28.5
A 104	01104000	115	64	34.5	107.5	90.6	56.5	31.6	-	9	29
A 105	01105000	75	80	57	65.5	50.4	70.5	47.4	-	15	51
A 106	01106000	185.5	64	34.5	178	161.1	56.5	31.6	-	9	29
A 110	01110000	125	80	57	115.5	100.4	70.5	47.4	-	15	51
A 114	01114000	200	100	81	190	172	90	52	-	20	74
A 115	01115000	175	80	57	165.5	150.4	70.5	47.4	-	15	51
A 116	01116000	100	100	81	90	72	90	52	-	20	74
A 117	01117000	250	80	52	240.5	225.4	70.5	47.4	-	12	45
A 118	01118000	160	100	81	150	132	90	52	-	20	74
A 119	01119000	122	120	81	111	88	109	64	-	20	72
A 120	01120000	122	120	91	111	89.1	109	64	-	30	82
A 121	01121000	140	140	91	129	101	129	74	-	30	82
A 122	01122000	220	120	81	209	186	109	64	-	20	72
A 123	01123000	220	120	91	209	186	109	64	-	30	82
A 124	01124000	360	120	81	349	326	109	64	-	20	72
A 125	01125000	160	160	91	148.6	117.6	149	88	-	20	82
A 126	01126000	200	140	91	189	161	129	74	-	30	82
A 127	01127000	180	180	101	169	138	169	108	-	30	92
A 130	01130000	260	160	91	248.6	217.6	149	88	-	20	82
A 131	01131000	280	180	101	269	238	169	108	-	30	92
A 135	01135000	360	160	91	348.6	317.6	149	88	-	20	82
A 138	01138000	560	160	91	548.5	517.5	149	88	113	20	82
A 140	01140000	200	230	111	189	157	219	157	-	20	102
A 145	01145000	230	100	111	218	158	88	58	-	20	101
A 150	01150000	200	230	180	190	158	220	158	-	20	170
A 155	01155000	280	230	111	268	237	218	157	-	20	102
A 160	01160000	330	230	111	318	286.5	217.5	156.5	-	20	102
A 165	01165000	330	230	181	316.5	285.5	216.5	155.5	-	20	170
A 168	01168000	400	230	111	387	357	217	157	-	20	102
A 169	01169000	600	230	111	586	558	216	158	188	20	100
A 170	01170000	400	230	225	384.5	354.5	214.5	155	-	20	214.5
A 175	01175000	400	310	111	392	359.5	301	239	-	20	101
A 180	01180000	400	310	141	386.5	358	296.5	238.5	-	20	129.5
A 185	01185000	400	310	181	390	358.5	299	238	-	20	169.5
A 190	01190000	400	310	227	388.5	360.5	297.5	240	-	20	216
A 196	01196000	600	310	111	586	558	296	238	268	20	99.5
A 197	01197000	600	310	181	584	556	294	236	266	20	169.5
A 198	01198000	600	600	202.5	583	547	583	547	547	40	189

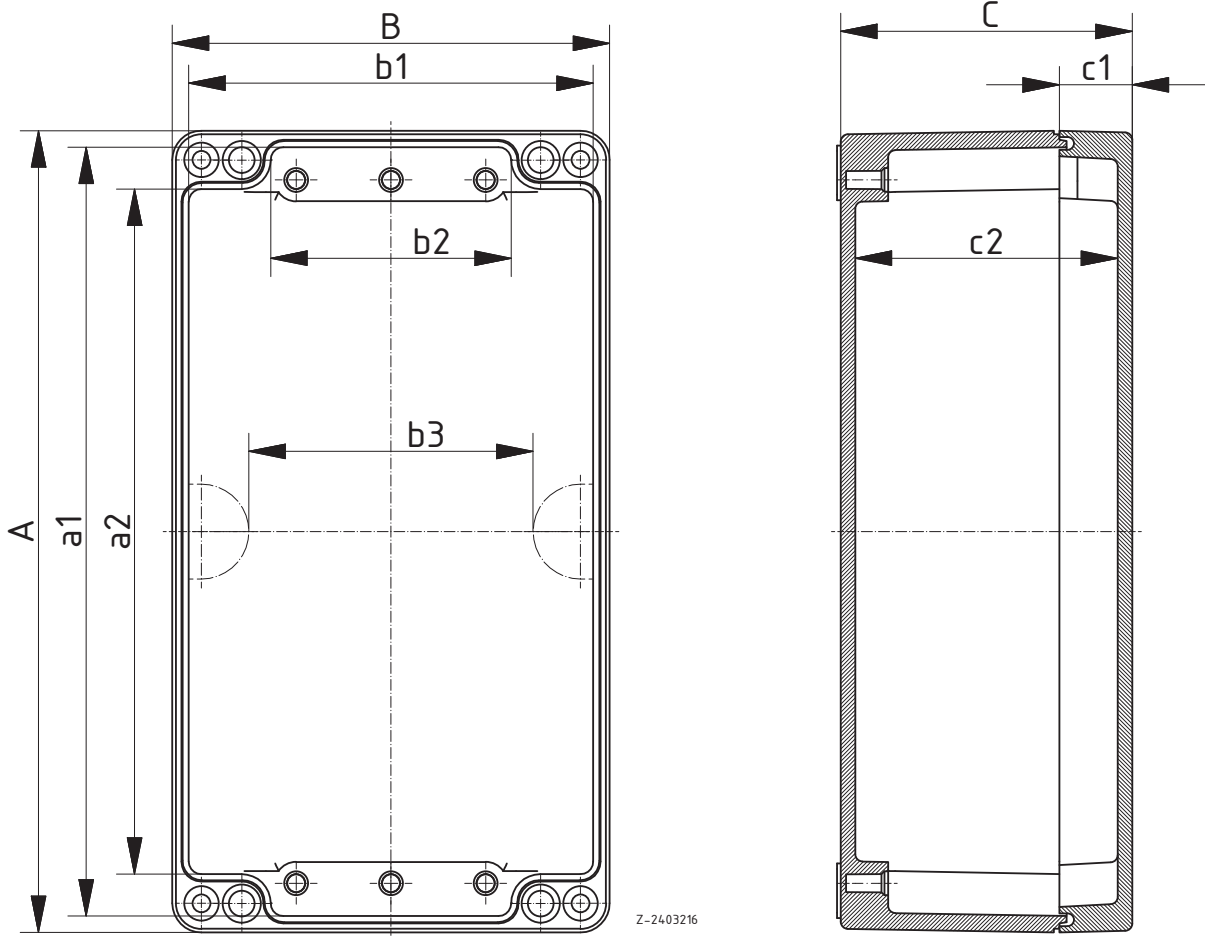
Scope Of Delivery: Lid and base, lid screws (V2A), 4 screws for installation/earthing

Notes: On the A 198, because of the wall-mounting drill holes inside the sealed lip, expert sealing of the wall-mounting is necessary to achieve protection class IP 66. G = design with transparent lid (PC)



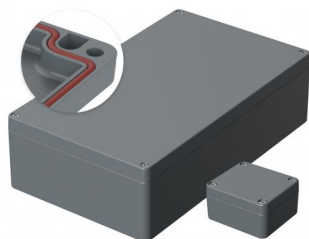
BOPLA

A Phoenix Mecano Company



Euromas Aluminium / Euromas F05

Enclosures with silicone lid seal



Enclosure, aluminium, with silicone lid seal

Model	Order no.	A	B	C	a1	a2	b1	b2	b3	c1	c2
A 100 SIL	01100010	50	45	30	44	30	39	25	-	6	25
A 101 SIL	01101010	58	64	34	50.5	34	56.8	32	-	9	28.5
A 102 SIL	01102010	98	64	34	90.5	74	56.8	32	-	9	28.5
A 103 SIL	01103010	150	64	34	142.5	126	56.8	32	-	9	28.5
A 104 SIL	01104010	115	64	34.5	107.5	90.6	56.5	31.6	-	9	29
A 105 SIL	01105010	75	80	57	65.5	50.4	70.5	47.4	-	15	51
A 106 SIL	01106010	185.5	64	34.5	178	161.1	56.5	31.6	-	9	29
A 110 SIL	01110011	125	80	57	115.5	100.4	70.5	47.4	-	15	51
A 114 SIL	01114010	200	100	81	190	172	90	52	-	20	74
A 115 SIL	01115010	175	80	57	165.5	150.4	70.5	47.4	-	15	51
A 116 SIL	01116010	100	100	81	90	72	90	52	-	20	74
A 117 SIL	01117010	250	80	52	240.5	225.4	70.5	47.4	-	12	45
A 118 SIL	01118010	160	100	81	150	132	90	52	-	20	74
A 119 SIL	01119010	122	120	81	111	88	109	64	-	20	72
A 120 SIL	01120010	122	120	91	111	89.1	109	64	-	30	82
A 121 SIL	01121010	140	140	91	129	101	129	74	-	30	82
A 122 SIL	01122010	220	120	81	209	186	109	64	-	20	72
A 123 SIL	01123011	220	120	91	209	186	109	64	-	30	82
A 124 SIL	01124010	360	120	81	349	326	109	64	-	20	72
A 125 SIL	01125011	160	160	91	148.6	117.6	149	88	-	20	82
A 126 SIL	01126010	200	140	91	189	161	129	74	-	30	82
A 127 SIL	01127010	180	180	101	169	138	169	108	-	30	92
A 130 SIL	01130011	260	160	91	248.6	217.6	149	88	-	20	91
A 131 SIL	01131010	280	180	101	269	238	169	108	-	30	92
A 135 SIL	01135011	360	160	91	348.6	317.6	149	88	-	20	82
A 138 SIL	01138010	560	160	91	548.5	517.5	149	88	113	20	82
A 140 SIL	01140010	200	230	111	189	157	219	157	-	20	102
A 145 SIL	01145010	230	100	111	218	158	88	58	-	20	101
A 150 SIL	01150010	200	230	180	190	158	220	158	-	20	170
A 155 SIL	01155010	280	230	111	268	237	218	157	-	20	102
A 160 SIL	01160010	330	230	111	318	286.5	217.5	156.5	-	20	102
A 165 SIL	01165010	330	230	181	316.5	285.5	216.5	155.5	-	20	170
A 168 SIL	01168010	400	230	111	387	357	217	157	-	20	102
A 169 SIL	01169010	600	230	111	586	558	216	158	188	20	100
A 170 SIL	01170010	400	230	225	384.5	354.5	214.5	155	-	20	214.5
A 175 SIL	01175010	400	310	111	392	359.5	301	239	-	20	101
A 180 SIL	01180010	400	310	141	386.5	358	296.5	238.5	-	20	129.5
A 185 SIL	01185010	400	310	181	390	358.5	299	238	-	20	169.5
A 190 SIL	01190010	400	310	227	388.5	360.5	297.5	240	-	20	216
A 196 SIL	01196010	600	310	111	586	558	296	238	268	20	99.5
A 197 SIL	01197010	600	310	181	584	556	294	236	266	20	169.5
A 198 SIL	01198010	600	600	202.5	583	547	583	547	547	40	189

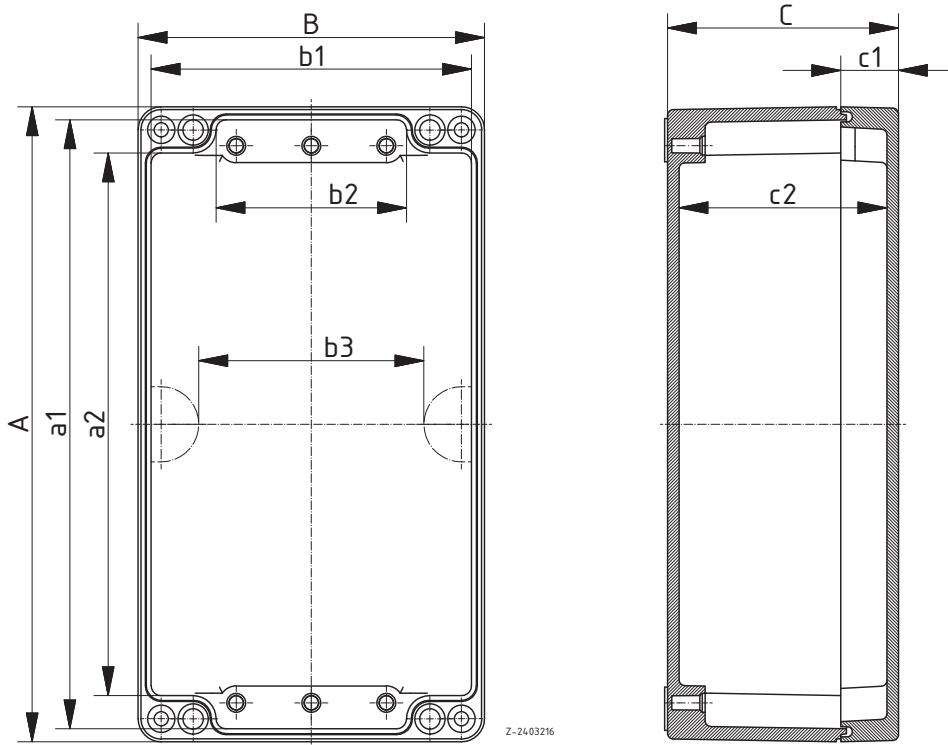
Scope Of Delivery: Lid and base, lid screws (V2A), 4 screws for installation/earthing

Notes: On the A 198, because of the wall-mounting drill holes inside the sealed lip, expert sealing of the wall-mounting is necessary to achieve protection class IP 66.



BOPLA

A Phoenix Mecano Company



Euromas Aluminium / Euromas F05

Enclosures with F05 insertion

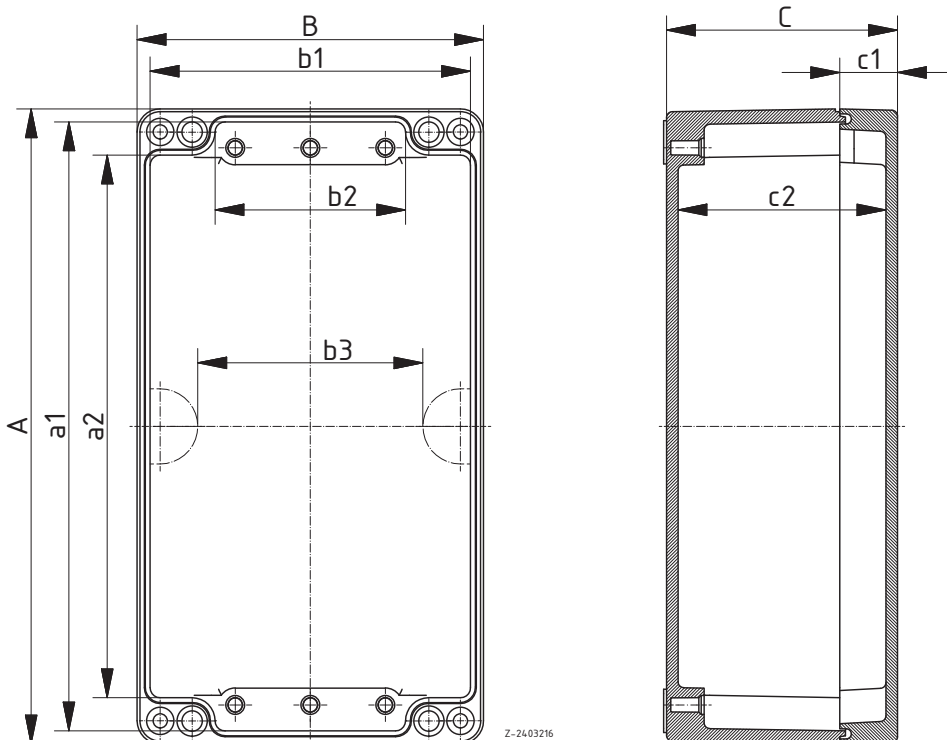


Enclosure, aluminium, with F05 opening, IP 66 / DIN EN 60529

Model	Order no.	A	B	C
A 110 F05	01110800	125	80	57

Scope Of Delivery: Base, lid, for EX design additional EX type plate, earthing connection M 4 internal and external

Notes: 1. Cable and wire inlets and blanking plugs acc. to DIN 46320 and 46255 with separate test certificate and separately tested elastomer seal. 2. Operating temperatures for the adjusting axis sealing rings: - Round sealing ring 9.0x1.5 - NBR 70: - 30°C ... +100°C - Round sealing ring 9.0x1.5 - VMQ 70 (silicone): -55°C ... +155°C
Important: As the installation of the adjusting axis including the adjusting axis seal only takes place during complete assembly of the enclosure, the manufacturer of the complete unit is responsible for ensuring compliance with protection class IP 66 acc. to DIN EN 60529 for this sealed point! The enclosure manufacturer cannot accept any warranty in respect of this.

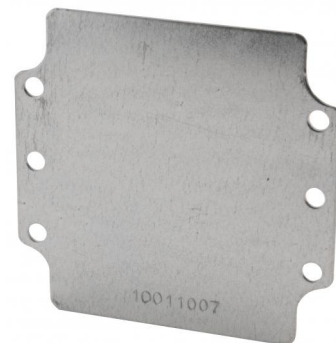


Euromas Aluminium / Euromas F05

Mounting panels

Mounting panels, galvanised sheet steel

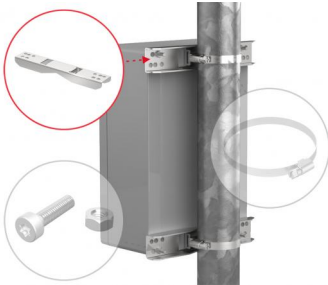
Model	Order no.	Note
M	21001100	For A 105, PK 105
M	21001200	For A 110, PK 110
M	21001202	For A 114
M	21001300	For A 115, PK 115
M	21001310	For A 116
M	21001700	For A 125, P 330
M	21001320	For A 118
M	21001500	For A 122-123, P 331
M	21001600	For A 119-120, P 332
M	21001610	For A 121
M	21001800	For A 130, P 333
M	21001900	For A 135, P 334
M	21001550	For A 124
M	21001710	For A 126
M	21001720	For A 127
M	21001810	For A 131
M	21002000	For A 138, P 345
M	21002100	For A 140, A 150
M	21002110	For A 145
M	21002120	For A 155
M	21002200	For A 160-165
M	21002400	For A 168, A 170
M	21002410	For A 169
M	21002420	For A 175-190
M	21002500	For A 195
M	21002510	For A 196-197
M	21002520	For A 198



Scope Of Delivery: 1 mounting panel

Euromas Aluminium / Euromas F05

Accessories



Mast mounting, stainless steel V2A, uncoated

Model	Order no.
MH 080	96500080
MH 122	96500122
MH 167	96500167
MH 220	96500220
MH 265	96500265

Scope Of Delivery: MH: 1 set (2 pieces) BFS: 20 pieces

Notes: Please order the assembly kit and mast clamp as per the table.

Verwendung der Mastbefestigung für Euromas Aluminium
Use of the mast mounting for Euromas Aluminium

Bitte wählen Sie anhand dieser Tabelle je nach Größe und Ausrichtung des Gehäuses die passende Mastbefestigung und den dazugehörigen Befestigungsatz aus.
Please use this table to select the appropriate mast mounting and the associated mounting kit, depending on the size and alignment of the enclosure.

Ausrichtung des Gehäuses / Alignment of the enclosure:
H = horizontal V = vertical

Gehäuse Enclosure	Mastbefestigung Mast mounting	Befestigungsatz Mounting kit
A 114 H	= MH 080	+ BFS MH 1
A 114 V	= MH 080	+ BFS MH 1
A 118 H	= MH 167	+ BFS MH 1
A 118 V	= MH 080	+ BFS MH 1
A 119 H	= MH 122	+ BFS MH 3
A 119 V	= MH 122	+ BFS MH 3
A 120 H	= MH 122	+ BFS MH 3
A 120 V	= MH 122	+ BFS MH 3
A 121 H	= MH 167	+ BFS MH 3
A 121 V	= MH 220	+ BFS MH 3
A 122 H	= MH 122	+ BFS MH 3
A 122 V	= MH 122	+ BFS MH 3
A 123 H	= MH 122	+ BFS MH 3
A 123 V	= MH 122	+ BFS MH 3
A 124 H	= MH 167	+ BFS MH 3
A 124 V	= MH 122	+ BFS MH 3
A 125 H	= MH 220	+ BFS MH 3
A 125 V	= MH 220	+ BFS MH 3
A 126 H	= MH 167	+ BFS MH 3
A 126 V	= MH 220	+ BFS MH 3
A 127 H	= MH 167	+ BFS MH 3
A 127 V	= MH 220	+ BFS MH 3
A 128 H	= MH 220	+ BFS MH 3
A 128 V	= MH 220	+ BFS MH 3
A 129 H	= MH 122	+ BFS MH 3
A 129 V	= MH 122	+ BFS MH 3
A 130 H	= MH 122	+ BFS MH 3
A 130 V	= MH 122	+ BFS MH 3
A 131 H	= MH 122	+ BFS MH 3
A 131 V	= MH 122	+ BFS MH 3
A 132 H	= MH 122	+ BFS MH 3
A 132 V	= MH 122	+ BFS MH 3
A 133 H	= MH 122	+ BFS MH 3
A 133 V	= MH 122	+ BFS MH 3
A 134 H	= MH 122	+ BFS MH 3
A 134 V	= MH 122	+ BFS MH 3
A 135 H	= MH 122	+ BFS MH 3
A 135 V	= MH 122	+ BFS MH 3
A 136 H	= MH 122	+ BFS MH 3
A 136 V	= MH 122	+ BFS MH 3
A 137 H	= MH 122	+ BFS MH 3
A 137 V	= MH 122	+ BFS MH 3
A 138 H	= MH 122	+ BFS MH 3
A 138 V	= MH 122	+ BFS MH 3
A 139 H	= MH 122	+ BFS MH 3
A 139 V	= MH 122	+ BFS MH 3
A 140 H	= MH 122	+ BFS MH 3
A 140 V	= MH 122	+ BFS MH 3
A 141 H	= MH 122	+ BFS MH 3
A 141 V	= MH 122	+ BFS MH 3
A 142 H	= MH 122	+ BFS MH 3
A 142 V	= MH 122	+ BFS MH 3
A 143 H	= MH 122	+ BFS MH 3
A 143 V	= MH 122	+ BFS MH 3
A 144 H	= MH 122	+ BFS MH 3
A 144 V	= MH 122	+ BFS MH 3
A 145 H	= MH 122	+ BFS MH 3
A 145 V	= MH 122	+ BFS MH 3
A 146 H	= MH 122	+ BFS MH 3
A 146 V	= MH 122	+ BFS MH 3
A 147 H	= MH 122	+ BFS MH 3
A 147 V	= MH 122	+ BFS MH 3
A 148 H	= MH 122	+ BFS MH 3
A 148 V	= MH 122	+ BFS MH 3
A 149 H	= MH 122	+ BFS MH 3
A 149 V	= MH 122	+ BFS MH 3
A 150 H	= MH 122	+ BFS MH 3
A 150 V	= MH 122	+ BFS MH 3
A 151 H	= MH 122	+ BFS MH 3
A 151 V	= MH 122	+ BFS MH 3
A 152 H	= MH 122	+ BFS MH 3
A 152 V	= MH 122	+ BFS MH 3
A 153 H	= MH 122	+ BFS MH 3
A 153 V	= MH 122	+ BFS MH 3
A 154 H	= MH 122	+ BFS MH 3
A 154 V	= MH 122	+ BFS MH 3
A 155 H	= MH 122	+ BFS MH 3
A 155 V	= MH 122	+ BFS MH 3
A 156 H	= MH 122	+ BFS MH 3
A 156 V	= MH 122	+ BFS MH 3
A 157 H	= MH 122	+ BFS MH 3
A 157 V	= MH 122	+ BFS MH 3
A 158 H	= MH 122	+ BFS MH 3
A 158 V	= MH 122	+ BFS MH 3
A 159 H	= MH 122	+ BFS MH 3
A 159 V	= MH 122	+ BFS MH 3
A 160 H	= MH 122	+ BFS MH 3
A 160 V	= MH 122	+ BFS MH 3
A 161 H	= MH 122	+ BFS MH 3
A 161 V	= MH 122	+ BFS MH 3
A 162 H	= MH 122	+ BFS MH 3
A 162 V	= MH 122	+ BFS MH 3
A 163 H	= MH 122	+ BFS MH 3
A 163 V	= MH 122	+ BFS MH 3
A 164 H	= MH 122	+ BFS MH 3
A 164 V	= MH 122	+ BFS MH 3
A 165 H	= MH 122	+ BFS MH 3
A 165 V	= MH 122	+ BFS MH 3
A 166 H	= MH 122	+ BFS MH 3
A 166 V	= MH 122	+ BFS MH 3
A 167 H	= MH 122	+ BFS MH 3
A 167 V	= MH 122	+ BFS MH 3
A 168 H	= MH 122	+ BFS MH 3
A 168 V	= MH 122	+ BFS MH 3
A 169 H	= MH 122	+ BFS MH 3
A 169 V	= MH 122	+ BFS MH 3
A 170 H	= MH 122	+ BFS MH 3
A 170 V	= MH 122	+ BFS MH 3

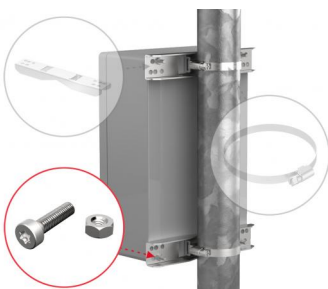
Stand 23.03.2021



H = horizontal



V = vertical



Assembly kit for mast mounting

Model	Order no.	Note
BFS MH 1	96500001	Fixing kit
BFS MH 2	96500002	Fixing kit
BFS MH 3	96500003	Fixing kit

Scope Of Delivery: 20 pieces (for 5 sets of mast mountings)

Notes: Details of the matching mast mounting for each enclosure size and the accompanying assembly kit can be found in the table (see "Product information").



Clamp for mast mounting, stainless steel

Model	Order no.	Note
MH S 32-50	96500050	Terminal area 32-50 mm
MH S 50-70	96500070	Terminal area 50-70 mm
MH S 70-90	96500090	Terminal area 70-90 mm
MH S 90-110	96500110	Terminal area 90-110 mm
MH S 110-130	96500130	Terminal area 110-130 mm
MH S 130-150	96500150	Terminal area 130-150 mm
MH S 150-170	96500175	Terminal area 150-170 mm
MH S 170-190	96500190	Terminal area 170-190 mm
MH S 190-210	96500210	Terminal area 190-210 mm

Scope Of Delivery: 10 pieces

* = Available on request



BOPLA

A Phoenix Mecano Company

Verwendung der Mastbefestigung für Euromas Aluminium Use of the mast mounting for Euromas Aluminium

Bitte wählen Sie anhand dieser Tabelle je nach Größe und Ausrichtung des Gehäuses die passende Mastbefestigung und den dazugehörigen Befestigungssatz aus.

Please use this table to select the appropriate mast mounting and the associated mounting kit, depending on the size and alignment of the enclosure.

Ausrichtung des Gehäuses / Alignment of the enclosure :

H = horizontal

V = vertical

Gehäuse Enclosure		Mastbefestigung Mast mounting		Befestigungssatz Mounting kit
A 114 H	=	MH 220	+	BFS MH 1
A 114 V	=	MH 080	+	BFS MH 1
A 116 V	=	MH 080	+	BFS MH 1
A 118 H	=	MH 167	+	BFS MH 1
A 118 V	=	MH 080	+	BFS MH 1
A 119 H	=	MH 122	+	BFS MH 3
A 119 V	=	MH 122	+	BFS MH 3
A 120 H	=	MH 122	+	BFS MH 3
A 120 V	=	MH 122	+	BFS MH 3
A 121 H	=	MH 167	+	BFS MH 3
A 122 H	=	MH 220	+	BFS MH 3
A 122 V	=	MH 122	+	BFS MH 3
A 123 H	=	MH 220	+	BFS MH 3
A 123 V	=	MH 122	+	BFS MH 3
A 124 V	=	MH 122	+	BFS MH 3
A 125 H	=	MH 167	+	BFS MH 3
A 125 V	=	MH 122	+	BFS MH 3
A 126 H	=	MH 220	+	BFS MH 3
A 127 H	=	MH 220	+	BFS MH 3
A 127 V	=	MH 167	+	BFS MH 3
A 130 H	=	MH 265	+	BFS MH 3
A 130 V	=	MH 122	+	BFS MH 3
A 131 V	=	MH 167	+	BFS MH 3
A 135 V	=	MH 122	+	BFS MH 3
A 138 V	=	MH 122	+	BFS MH 3
A 140 V/H	=	MH 220	+	BFS MH 3
A 145 H	=	MH 220	+	BFS MH 3
A 145 V	=	MH 122	+	BFS MH 3
A 150 V/H	=	MH 220	+	BFS MH 3
A 155 V	=	MH 220	+	BFS MH 3
A 160 V	=	MH 220	+	BFS MH 3
A 165 V	=	MH 220	+	BFS MH 3
A 168 V	=	MH 220	+	BFS MH 3
A 169 V	=	MH 220	+	BFS MH 3
A 170 V	=	MH 220	+	BFS MH 3

H = horizontal



V = vertical



Stand 23.03.2021

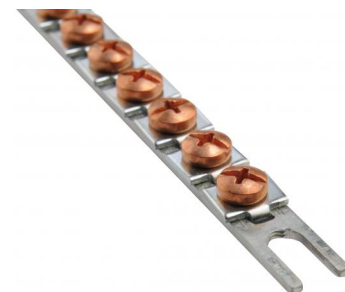
Euromas Aluminium / Euromas F05

Accessories

Earthing bars with fitted terminal clamps

Model	Order no.	Note
E	21004800	For A 125, P 330
E	21004650	For A 121
E	21004700	For A 122-123, P 331
E	21004600	For A 119-120, P 332
E	21004900	For A 130, P 333, P 337-338
E	21005000	For A 124, A 135, P 334, P 339
E	21004850	For A 126, A 140, A 150
E	21005400	For A 168, A 170-190, P 340-341, P 3412, P 355
E	21004860	For A 127
E	21005500	For A 169, P 342
E	21005100	For A 138, P 345
E	21004950	For A 131
E	21005250	For A 155
E	21005300	For A 160-165
E	21005600	For A 195
E	21005650	For A 196-197

Scope Of Delivery: 1 earthing bar



Wall brackets, screw-on at rear

Model	Order no.	Note
WL	21004250	For A 114, A 116, A 118, P 305-322, P 324-329
WL	21004300	For A 119-198, P 330-355

Scope Of Delivery: 4 pieces



DIN rails DIN EN 60715 TH 15, galvanised steel

Model	Order no.	Note
TS 15	21002650	For A 101
TS 15	21002800*	For A 105, P 305, P 326, PK 105
TS 15	21002600	For A 102
TS 15	21002900*	For A 110, PK 110
TS 15	21002700	For A 103
TS 15	21003000*	For A 115, PK 115
TS 15	21003150	For A 118, P 316
TS 15	24003300	For A 106, P 319, P 329
TS 15	21002950	For A 114
TS 15	21003205	For A 119-120, P 332
TS 15	21003050	For A 116
TS 15	21003505	For A 130, P 333
TS 15	21003100	For A 117
TS 15	21003310	For A 122-123
TS 15	21004210	For A 195

Scope Of Delivery: 1 DIN rail



Euromas Aluminium / Euromas F05

Accessories



DIN rails DIN EN 60715 G 32, galvanised steel

Model	Order no.	Note
TS 32	21002960	For A 114
TS 32	21003160	For A 118
TS 32	21003250	For A 121
TS 32	21003400	For A 125, P 330
TS 32	21003300	For A 122-123, P 331
TS 32	21003200	For A 119-120, P 332
TS 32	21003450	For A 126
TS 32	21003500	For A 130, P 333
TS 32	21003340	For A 124, A 135, P 334, P 339
TS 32	21003470	For A 127
TS 32	21003550	For A 131
TS 32	21004100	For A 168, A 170-190, P 340-341, P 3412, P 355
TS 32	21004150	For A 169, A 196-197, P 342
TS 32	21003700	For A 138, P 345
TS 32	21003800	For A 140, A 150
TS 32	21003850	For A 145
TS 32	21003870	For A 155
TS 32	21003900	For A 160-165
TS 32	21004200	For A 195
TS 32	21004170	For A 198

Scope Of Delivery: 1 DIN rail



DIN rails DIN EN 60715 TH 35, galvanised steel

Model	Order no.	Note
TS 35	21002920	For A 110
TS 35	21003260	For A 121
TS 35	21003410	For A 125, P 330
TS 35	21003320	For A 122-123, P 331
TS 35	21003210	For A 119-120, P 332
TS 35	21003460	For A 126
TS 35	21003480	For A 127
TS 35	21003510	For A 130, P 333
TS 35	21003350	For A 124, A 135, P 334, P 339
TS 35	21003560	For A 131
TS 35	21004110	For A 168, A 170-190, P 340-341, P 3412, P 355
TS 35	21003810	For A 140, A 150
TS 35	21004160	For A 169, A 196-197, P 342
TS 35	21003710	For A 138, P 345
TS 35	21003860	For A 145
TS 35	21003880	For A 155
TS 35	21003910	For A 160-165
TS 35	21004205	For A 195
TS 35	21004180	For A 198

Scope Of Delivery: 1 DIN rail

Euromas Aluminium / Euromas F05

Accessories

Set of hinges

Model	Order no.
SCHD	21007800

Scope Of Delivery: 1 set of diecast hinges

Notes: Processing of the enclosure and mounting on request.



Capstan-headed screws, sealable

Model	Order no.	Note
KP	21007915	For A 100-118
KP	21007955	For A 119, A 122, A 124-125, A 130, A 135-190, A 196-197
KP	21007975	For A 195, P 330, P 333-336, P 339, P 345
KP	21007995	For A 120-121, A 123, A 126-127, A 131, P 331-332, P 337, P 341-342, P 335

Scope Of Delivery: 2 pieces



Allen cheese-head screw for lid

Model	Order no.	Note
IS	21007910	For A 100
IS	21007920	For A 101-118
IS	21007950	For A 119, A 122, A 124-125, A 130, A 135, A 140-168, A 170-190
IS	21007970	For A 195, P 330, P 333-336, P 339
IS	21007990	For A 120-121, A 123, A 126-127, A 131, P 331-332, P 337, P 341, P 3412, P 355
IS	21007960	For A 138, A 169, A 196-197
IS	21008010	For A 198

Scope Of Delivery: 1 set, suitable for one enclosure

