





→ Enclosures

- | | |
|--|----------|
| - Stainless steel enclosure for hygienic application (SVA...) | page 672 |
| - Stainless steel enclosures for profile rail mounting (S4...) | page 673 |
| - Insulated plastic enclosures (SIL...) | page 675 |
| - E-stop enclosures (SIL...) | page 676 |
| - ASI e-stop enclosures (SIL...) | page 678 |
| - E-stop control stations M12 (SIL...) | page 679 |
| - Compact e-stop enclosures minibox | page 681 |
| - Insulated plastic enclosures (DIR...) | page 688 |
| - Equipped insulated plastic enclosures (DIR...) | page 691 |
| - Insulated plastic enclosures (IRL...) | page 692 |
| - Equipped insulated plastic enclosures (IRF...) | page 694 |

Equipped Stainless Steel Enclosure

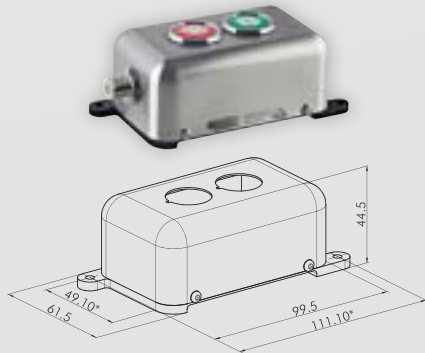
Illustration

Dimensions

Description

Type

IP69K



Stainless steel enclosure with 2 illuminated pushbuttons

Mounting hole diameter: Ø 4.3mm

Actuators: 2 pushbutton heads ref.RRJAFT

Contacts: 1 ea. inverter

Operating temperature: -30 °C ... +65 °C

Storage temperature: -50 °C ... +85 °C

Connection: 8-pole M12 female connector

Rated voltage: 1 V ... 30/36 V /AC/DC

Rated current: 0.01 mA ... 100 mA

LED rated voltage: 24 V / AC/DC

LED rated current: 7 /15 mA

other versions on request

mounting holes: 2

equipped: Yes

Panel cut-out: Ø 22.3 mm

Colour:

stainless steel, brushed finish



SVAB22/2_01


Equipped Stainless Steel Enclosure


Illustration

Dimensions


Description


Type

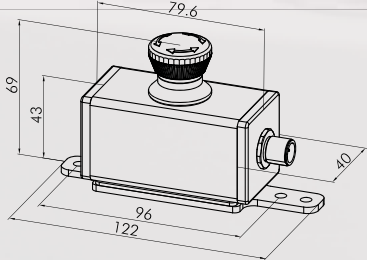
IP54




Equipped stainless steel enclosure with M12 cable entry (8 poles) for profile rail mounting - 1 mounting hole
1 emergency-stop FRVKOO
Equipped: yes



Mounting holes: 1
Colour: stainless steel, brushed finish  **S41_01**



IP54






Equipped stainless steel enclosure with M12 cable entry (8 poles) for profile rail mounting - 2 mounting holes
1 emergency-stop FRVKOO
1 pushbutton SSWTI
incl. lenses (clear, red, green, yellow, blue)
Equipped: yes




Mounting holes: 2
Colour: stainless steel, brushed finish  **S42_02**




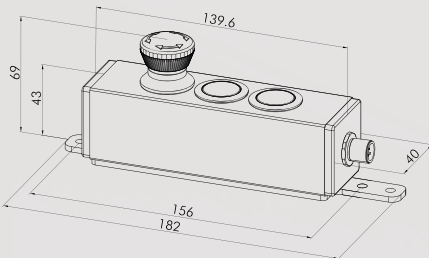
IP54




Equipped stainless steel enclosure with M12 cable entry (8 poles) for profile rail mounting - 3 mounting holes
1 emergency-stop FRVKOO
2 pushbuttons SSWTI
incl. lenses (clear, red, green, yellow, blue)
Equipped: yes



Mounting holes: 3
Colour: stainless steel, brushed finish  **S43_03**



Equipped Stainless Steel Enclosure

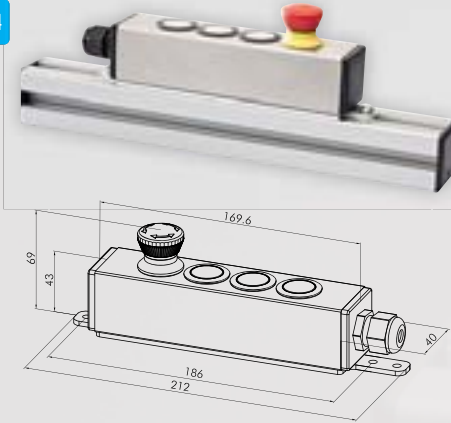
Illustration

Dimensions

Description

Type

IP54



Equipped stainless steel enclosure with cable gland for profile rail mounting - 4 mounting holes

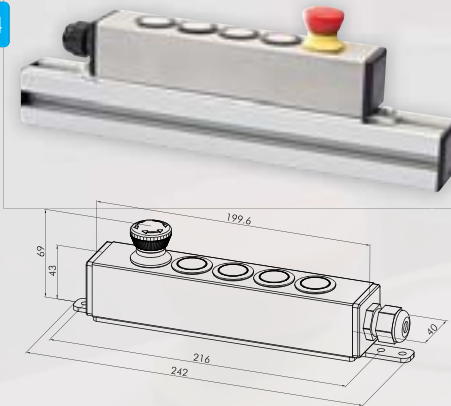
1 emergency-stop FRVKOO
3 pushbuttons SSWTI
incl. lenses (clear, red, green, yellow, blue)
Equipped: yes



Mounting holes: 4
Colour: stainless steel, brushed finish

 S44_04

IP54



Equipped stainless steel enclosure with cable gland for profile rail mounting - 5 mounting holes

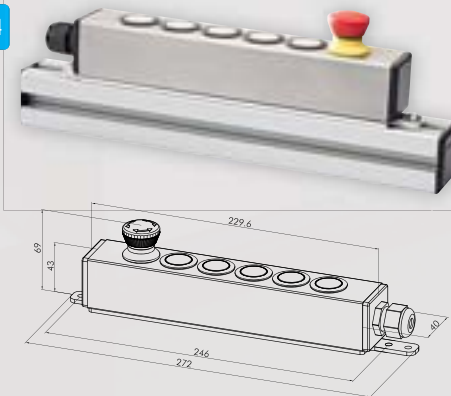
1 emergency-stop FRVKOO
4 pushbuttons SSWTI
incl. lenses (clear, red, green, yellow, blue)
Equipped: yes



Mounting holes: 5
Colour: stainless steel, brushed finish

 S45_05

IP54



Equipped stainless steel enclosure with cable gland for profile rail mounting - 6 mounting holes

1 emergency-stop FRVKOO
5 pushbuttons SSWTI
incl. lenses (clear, red, green, yellow, blue)
Equipped: yes



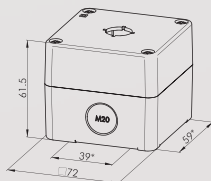
Mounting holes: 6
Colour: stainless steel, brushed finish

 S46_06

Insulated Plastic Enclosures

Illustration Dimensions Description Type

IP65
IP69K



Insulated plastic enclosure with 1 mounting hole

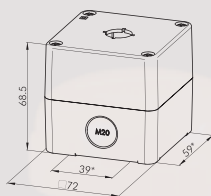
Equipped: no
Weight: 96 g
Cable entry: break-through wall M20



Mounting holes: 1
Panel cut-out: Ø 16.2 mm
Colour: black bottom part/yellow cover

SIL16/1

IP65
IP69K



High insulated plastic enclosure with 1 mounting hole

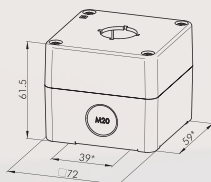
Equipped: no
Weight: 104 g
Cable entry: break-through wall M20



Mounting holes: 1
Panel cut-out: Ø 16.2 mm
Colour: black bottom part/yellow cover

SILH16/1

IP65
IP69K



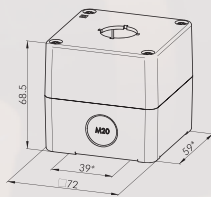
Insulated plastic enclosure with 1 mounting hole

Equipped: no
Weight: 96 g
Cable entry: break-through wall M20

Mounting holes: 1
Panel cut-out: Ø 22.3 mm
Colour: black bottom part/yellow cover

SIL22/1

IP65
IP69K



High insulated plastic enclosure with 1 mounting hole

Equipped: no
Weight: 104 g
Cable entry: break-through wall M20



Mounting holes: 1
Panel cut-out: Ø 22.3 mm
Colour: black bottom part/yellow cover

SILH22/1

About Us

Pushbuttons/Switches

Panel Mount Jacks

Emergency-Stop Buttons

Bus Technology

RFID

Enclosures

Pedal Switches

Terminal Blocks

Type Index

Equipped Insulated Plastic Enclosures

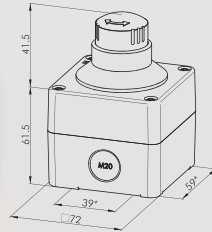
Illustration

Dimensions

Description

Type

IP65
IP69K



Emergency-stop control station

with switching position indicator and yellow anti-lock collar, twist release, acc. to EN ISO 13850, VDE 0660, sect.200, IEC/EN 60947-5-1 and IEC/EN 60947-5-5

mounting hole dia. 4.2 mm

Contact equipment: 2NC

Foolproof: yes

Switching position indicator: yes

Anti-lock collar: yes

Release: twist right or left

Standard: EN 60947-5-1, EN 60947-5-5,

EN ISO 13850

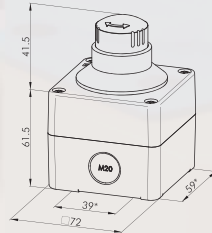
Equipped: yes

Cable entry: break-through wall M20

Colour: black bottom part/yellow cover

SIL_QRBUVOO

IP65



Emergency-stop control station, illuminated

with switching position indicator and yellow illuminated anti-lock collar, twist release, acc. to EN ISO 13850, VDE 0660, sect.200, IEC/EN 60947-5-1 and IEC/EN 60947-5-5

mounting hole dia. 4.2 mm

Contact equipment: 2NC

Foolproof: yes

Switching position indicator: yes

Anti-lock collar: yes

Release: twist right or left

Standard: EN 60947-5-1, EN 60947-5-5,

EN ISO 13850

Equipped: yes

Cable entry: break-through wall M20

Colour: black bottom part/yellow cover

SIL_QRBLUVOO

Equipped Insulated Plastic Enclosures

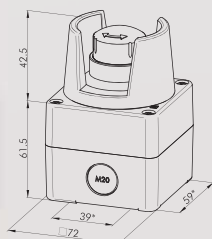
Illustration

Dimensions

Description

Type

IP65
IP69K



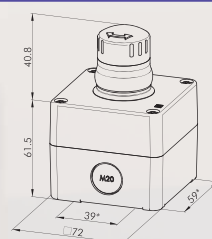
Emergency-stop control station

with switching position indicator and yellow protective shroud, twist release,
acc. to EN ISO 13850, VDE 0660, sect.200,
IEC/EN 60947-5-1 and IEC/EN 60947-5-5

- mounting hole dia. 4.2 mm
- NOTE: The user must ensure the emergency-stop with protective shroud to be easy accessible!
- Contact equipment: 2NC
- Foolproof: yes
- Switching position indicator: yes
- Anti-lock collar: yes
- Release: twist right or left
- Standard: EN 60947-5-1, EN 60947-5-5, EN ISO 13850
- Equipped: yes
- Cable entry: break-through wall M20
- Colour: black bottom part/yellow cover

SIL_QRSKUV00

IP66
IP69K



Emergency-stop control station for hygienic application

twist release e-stop, compliant to BG acc. to DIN EN 1672-2 and GS-FW 01/01

- mounting hole dia. 4.2 mm
- Contact equipment: 2NC
- Foolproof: yes
- Switching position indicator: no
- Anti-lock collar: no
- Release: twist right or left
- Standard: EN 60947-5-1, EN 60947-5-5, EN ISO 13850
- Equipped: yes
- Cable entry: break-through wall M20
- Colour: black bottom part/yellow cover

SIL_QRUVPO0

About Us

Pushbuttons/Switches

Panel Mount Jacks

Emergency-Stop Buttons

Bus Technology

RFID

Enclosures

Pedal Switches

Terminal Blocks

Type Index

Equipped Insulated Plastic Enclosures

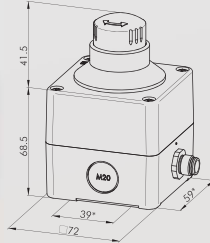
Illustration

Dimensions

Description

Type

IP65



AS-Interface emergency-stop control station - Safety at Work -

ASI slave: ASI_SAW22E

actuator: QRBUV, foolproof acc. to EN ISO 13850

Connection: M12 (4 poles)

Contact equipment: bus-compatible

Equipped: yes

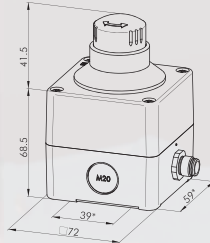


Colour:

black bottom part/yellow cover

SILH_ASIE_QRBUV

IP65



AS-Interface emergency-stop control station, illuminated - Safety at Work -

ASI slave: ASI_SAW22A

actuator: QRBLUV, foolproof acc. to EN ISO 13850

Connection: M12 (4 poles)

Contact equipment: bus-compatible

Equipped: yes

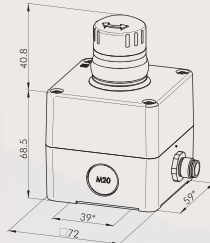


Colour:

black bottom part/yellow cover

SILH_ASI_QRBLUV

IP65



AS-Interface emergency-stop control station - Safety at Work -

ASI-Slave: ASI_SAW22E

Equipment: QRUVF for hygienic applications (compliant to BG acc. to DIN EN 1672-2 and GS-FW 01/01), foolproof acc. to EN ISO 13850

Connection: M12 (4 poles)

Contact equipment: bus-compatible

Equipped: yes

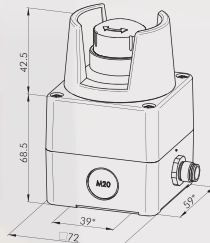


Colour:

black bottom part/yellow cover

SILH_ASIE_QRUVF

IP65



AS-Interface emergency-stop control station - Safety at Work -

ASI slave: ASI_SAW22E

actuator: QRSKUV, foolproof acc. to EN ISO 13850

Connection: M12 (4 poles)

Contact equipment: bus-compatible

Foolproof: no

Switching position indicator: no

Anti-lock collar: no

Equipped: yes



Colour:

black bottom part/yellow cover

SILH_ASIE_QRSKUV

Equipped Insulated Plastic Enclosures

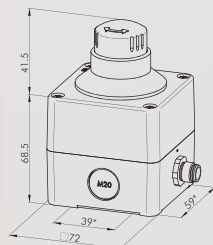
Illustration

Dimensions

Description

Type

IP65



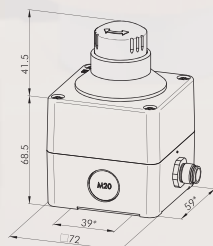
Emergency-stop control station with M12 connector - 2NC

with switching position indicator and yellow anti-lock collar, twist release,
acc. to EN ISO 13850, VDE 0660, sect.200,
IEC/EN 60947-5-1 and IEC/EN 60947-5-5

- mounting hole dia. 4.2 mm
- Contact equipment: 2NC
- Foolproof: yes
- Switching position indicator: yes
- Anti-lock collar: yes
- Release: twist right or left
- Equipped: yes
- Cable entry: 4-pole M12, A coded
- Colour: dark-grey bottom part/yellow cover

SIL_QRBUVOO_M12

IP65



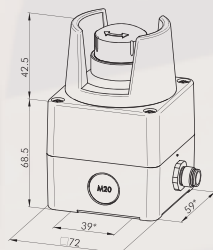
Emergency-stop control station with M12 connector - 2NC+1NO

with switching position indicator and yellow anti-lock collar, twist release,
acc. to EN ISO 13850, VDE 0660, sect.200,
IEC/EN 60947-5-1 and IEC/EN 60947-5-5

- mounting hole dia. 4.2 mm
- Contact equipment: 2NC + 1NO
- Foolproof: yes
- Switching position indicator: yes
- Anti-lock collar: yes
- Release: twist right or left
- Equipped: yes
- Cable entry: 8-pole M12, A coded
- Colour: dark-grey bottom part/yellow cover

SIL_QRBUVOOI_M12

IP65



Emergency-stop control station with M12 connector - 2NC

with switching position indicator and yellow collar, twist release,
acc. to EN ISO 13850, VDE 0660, sect.200,
IEC/EN 60947-5-1 and IEC/EN 60947-5-5

- mounting hole dia. 4.2 mm
- Contact equipment: 2NC
- Foolproof: yes
- Switching position indicator: yes
- Permissive Contact: no
- Anti-lock collar: yes
- Release: twist right or left
- Equipped: yes
- Cable entry: 4-pole M12, A coded
- Colour: dark-grey bottom part/yellow cover

SIL_QRSKUVOO_M12

Equipped Insulated Plastic Enclosures

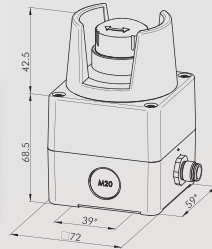
Illustration

Dimensions

Description

Type

IP65



Emergency-stop control station with M12 connector - 2NC+1NO

with switching position indicator and yellow collar, twist release, acc. to EN ISO 13850, VDE 0660, sect.200, IEC/EN 60947-5-1 and IEC/EN 60947-5-5

mounting hole dia. 4.2 mm

Contact equipment: 2NC + 1NO

Foolproof: yes

Switching position indicator: yes

Permissive Contact: no

Anti-lock collar: yes

Release: twist right or left

Equipped: yes

Cable entry: 8-pole M12, A coded

Colour: dark-grey bottom part/yellow cover

SIL_QRSKUV00IM12

Minibox with cable entry M16/M20 for profile rail or wall mounting

General data - contact module

- > Operating temperature: -25°C ... 70°C
- > Storage temperature: -40°C ... 85°C
- > Vibration / shock resistance: acc. to EN 60068-2-6/-27
- > Environmental conditions: acc. to EN 60068-2

Technical data - switch element

- > Ratings (gold-plated contacts): 20mV...42V AC/DC
1mA...250mA
- > Ratings (silver contacts): non-illuminated AC15 B300 250V/1.5A, lth 5A DC13 Q300, 250V/0.27A
acc. to EN 60947-5-1: illuminated SELV
- > Electrical life (rated load): 50,000
- > Positive opening contact: EN 60947-5-1, app. K

Technical data - LED

- > Operating voltage: 24V DC
- > Power consumption: max. 15 mA (at 24 V DC)

Using the fastening clip, the minibox can be mounted both on a profile rail or on a wall.

Assembly sequence using the example of profile rail mounting with lateral cable entry (not M12 version)



- > screw down mounting clip

1



- > attach lower box part
- > insert cable
- > contact wire ends
- > snap in PC board

2



- > snap on upper box part

3



ready

4

Equipped Insulated Plastic Enclosures

Illustration	Dimensions	Description	Type
 <p>IP65</p> <p></p>	 <p>28.60 23.80 108.60 41.80</p>	<p>minibox with lateral cable entry M16 and illuminated emergency-stop</p> <p>Contact equipment: 2NC Foolproof: yes Switching position indicator: yes Anti-lock collar: no Standard: EN60947-1/5-5 Equipped: yes</p> <p> </p>	<p>Colour: dark-grey bottom part/yellow cover</p> <p>MBP_FRVKL00</p>
 <p>IP65</p>	 <p>28.60 23.80 108.60 41.80</p>	<p>minibox with lateral cable entry M16</p> <p>Contact equipment: 2NC Foolproof: yes Switching position indicator: yes Anti-lock collar: no Standard: EN60947-1/5-5 Equipped: yes</p> <p> </p>	<p>Colour: dark-grey bottom part/yellow cover</p> <p>MBP_FRVK00</p>
 <p>IP65</p> <p></p>	 <p>28.60 23.80 108.60 41.80</p>	<p>minibox with bottom-side cable entry M20 and illuminated emergency-stop</p> <p>Contact equipment: 2NC Foolproof: yes Switching position indicator: yes Anti-lock collar: no Standard: EN60947-1/5-5 Equipped: yes</p> <p> </p>	<p>Colour: dark-grey bottom part/yellow cover</p> <p>MBW_FRVKL00</p>
 <p>IP65</p>	 <p>28.60 23.80 108.60 41.80</p>	<p>minibox with bottom-side cable entry M20</p> <p>Contact equipment: 2NC Foolproof: yes Switching position indicator: yes Anti-lock collar: no Standard: EN60947-1/5-5 Equipped: yes</p> <p> </p>	<p>Colour: dark-grey bottom part/yellow cover</p> <p>MBW_FRVK00</p>

Equipped Insulated Plastic Enclosures

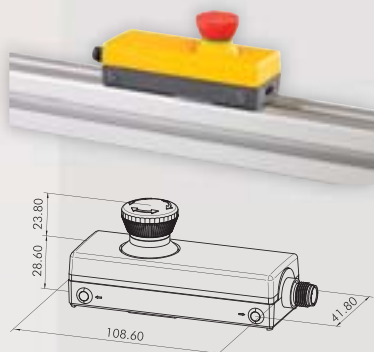
Illustration

Dimensions

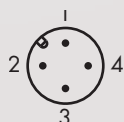
Description

Type

IP65



minibox with M12 cable entry (4 poles)



Operating temperature: -25 °C...+70 °C
 Storage temperature: -25°C...+85 °C
 Connection: M12, 4 poles (m)
 Pin 1,2: NC 1; Pin 3,4: NC 2
 Contact material: AgNi
 Electrical life: 50.000 at rated load
 Positive opening: acc. to EN 60947-5-1, append. K
 Test voltage M12 plug: 2.0 kV
 Electrical Data acc. to IEC/EN 60947-5-1 (VDE 0660 sect. 200)

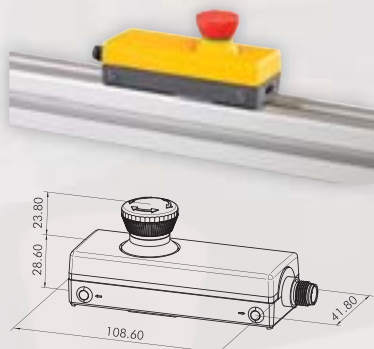
alternating current direct current
 Utilisation category: AC15 DC13
 Rated operating voltage Ue: 240V 250V
 Rated operating current Ie: 1.5A 0.27A
 Foolproof: yes
 Switching position indicator: yes
 Anti-lock collar: no
 Standard: EN60947-1/5-5
 Equipped: yes



Colour: dark-grey bottom part/yellow cover

MBM124_FRVK00

IP65



minibox with M12 cable entry (8 poles)



Operating temperature: -25 °C...+70 °C
 Storage temperature: -25°C...+85 °C
 Connection: M12, 8 poles (m)
 Pin 1,2: NC 1; Pin 3,4: NC 2
 Pin 5,6: NO ; Pin 7,8: NC.
 Contact material: AgNi, gold-plating 5µm
 Electrical life: 50.000 at rated load
 Positive opening: acc. to EN 60947-5-1, append. K
 Test voltage M12 plug: 1.5 kV

Electrical Data
 Operating voltage: 1V... 36V
 Operating current: 1mA ... 250mA
 Contact equipment: 1 NO + 2 NC (positive opening contacts)

Foolproof: yes
 Switching position indicator: yes
 Anti-lock collar: no
 Standard: EN60947-1/5-5
 Equipped: yes



Colour: dark-grey bottom part/yellow cover

MBM128_FRVK00I

Equipped Insulated Plastic Enclosures

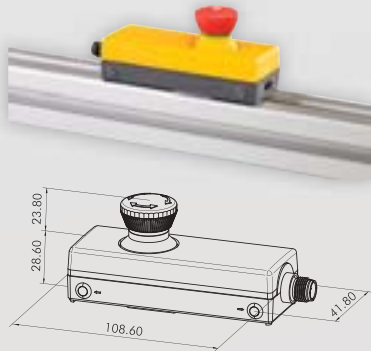
Illustration

Dimensions

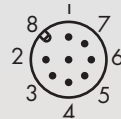
Description

Type

IP65



minibox with M12 cable entry (8 poles) and illuminated emergency-stop



Operating temperature:

-25 °C...+70 °C

Storage temperature:

-25°C...+85 °C

Connection:

M12, 8 poles (m)

Pin 1,2: NC 1; Pin 3,4: NC 2

Pin 5 (X1/+), Pin 6 (X2/-): LED;

Pin 7,8: n.c.

Contact material:

AgNi, gold-plated 5µm

Electrical life:

50.000 at rated load

Positive opening:

acc. to EN 60947-5-1,

appendix K

1.5 kV

Test voltage M12 plug:

Electrical Data

Operating voltage:

1V... 36V

Operating current:

1mA ... 250mA

LED lighting:

max. 30 V AC/DC, type 4 mA (at 24 V DC)

Contact equipment:

2NC, positive opening contact

Foolproof:

yes

Switching position indicator:

yes

Anti-lock collar:

no

Standard:

EN60947-1/5-5

Equipped:

yes



Colour:

dark-grey bottom part/yellow cover

MBM128_FRVKLOO

Equipped Insulated Plastic Enclosures

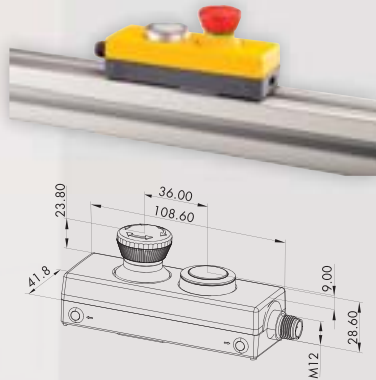
Illustration

Dimensions

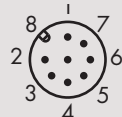
Description

Type

IP65



**minibox with M12 cable entry (8 poles)
with emergency-stop and pushbutton**



Lenses and nameplates to be ordered separately.

Operating temperature: -25 °C...+70 °C
 Storage temperature: -25°C...+85 °C
 E-stop/button type: emergency-stop: 2 NC (positive opening), 1 NO pushbutton: 1 NO with fastening clip on the rear
 Fixation: M12 8 pole (m) pos.1 (emergency-stop)
 Connection: NC 1, Pin 1-2; NC 2, Pin 3-4; NO, Pin 5-6 pos.2: (pushbutton) NO, pin 7-8
 Contact material: AgNi, gold-plated 5µm

Electr./mech. life: 50.000 at rated load (ambient temperature = 20°C)
 Emergency-stop: 1 million (ambient temperature = 20°C)
 Pushbutton: NC contact, acc. to EN 60947-5-1, appendix K
 Positive opening: 1.5kV
 Test voltage M12 plug: 1V... 36V
 Electrical Data Operating voltage: 1mA ... 250mA
 Operating current: yes
 Foolproof: yes
 Switching position indicator: no
 Anti-lock collar: no
 Standard: EN60947-1/5-5
 Equipped: yes



Colour: dark-grey bottom part/yellow cover

MBM128_NOOIT1

About Us

Pushbuttons/Switches

Panel Mount Jacks

Emergency-Stop Buttons

Bus Technology

RFID

Enclosures

Pedal Switches

Terminal Blocks

Type Index

Equipped Insulated Plastic Enclosures

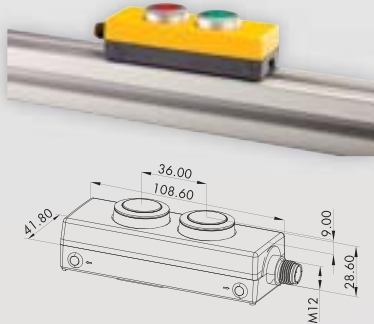
Illustration

Dimensions

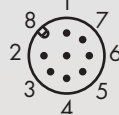
Description

Type

IP65



minibox with 2 pushbuttons and M12 cable entry (8 poles)



Lenses and nameplates to be ordered separately.

Operating temperature: -25 °C...+70 °C

Storage temperature: -25 °C...+85 °C

Pushbutton type: 1 NO and 1 NC (positive opening)

Fixation: with fastening clip on the rear
 Connection: M12 8 poles (m) Pos. 1 (pushbutton) NO, pin 1-2; lamp, pin 3-4; Pos. 2 (pushbutton); NC, pin 5-6; lamp, pin 7-8

Contact material: AgNi, gold-plated 5µm

Electrical life: 1 million at rated load (ambient temp. = 20 °C)

Mechanical life: 1 million operations (ambient temp. = 20 °C)

Positive opening: NC contact acc. to EN 60947-5-1, appendix K

Test voltage M12 plug: 1.5 kV

Electrical Data Operating voltage: 1V... 36V

Operating current: 1 mA ... 250mA

LED illumination: max. 30 V AC/DC, typ. 4 mA (at 24 V DC)

Equipped: yes

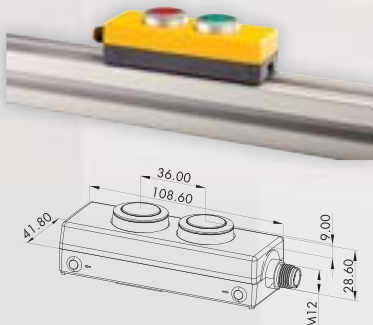
Colour: dark-grey bottom part/yellow cover

dark-grey bottom part/light-grey cover

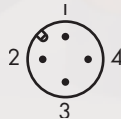
MBM128_TLITLO

MBM128_GR_TLITLO

IP65



minibox with 2 pushbuttons and M12 cable entry (4 poles)



Lenses and nameplates to be ordered separately.

Operating temperature: -25 °C...+70 °C

Storage temperature: -25 °C...+85 °C

Pushbutton type: 1 NO and 1 NC (positive opening)

Fixation: with rear mounting clip

Connection: M12 4 poles (m)

Pos. 1 (pushbutton 1) NO, pin 1-2 Pos. 2 (pushbutton 2) NC, pin 3-4

Contact material: AgNi

Mechanical life: 1 million (ambient temp. = 20 °C)

Positive opening: NC contact, acc. to EN 60947-5-1, appendix K

Test voltage M12 plug: 2.0kV

Electrical Data acc. to IEC/EN 60947-5-1 (VDE 0660 sect. 200)

Utilisation category: alternating current DC13 Rated

Operating voltage U_e: 240V 250V Rated

Operating current I_e: 1.5A 0.27A

Equipped: yes

Colour: dark-grey bottom part/yellow cover

MBM124_TITO

Equipped Insulated Plastic Enclosures

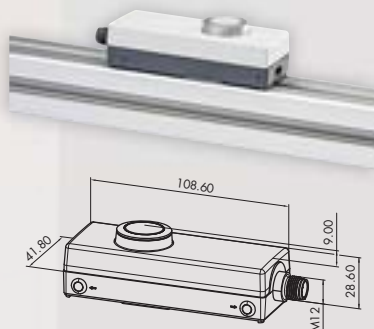
Illustration

Dimensions

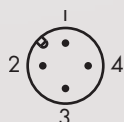
Description

Type

IP65



minibox with pushbutton and M12 cable entry (4 poles)



Lenses and nameplates to be ordered separately.

Operating temperature: -25 °C...+70 °C

Storage temperature: -25 °C...+85 °C

Pushbutton type: 1 NO

Degree of protection: IP65

Fixation: with rear mounting clip

Connection: M12 4 poles (m)

NO, Pin 1-2

lamp, Pin 3 (X1 +) - Pin 4 (X2 -)

Contact material: AgNi

Mechanical life: 1m (ambient temp. 20°C)

Bouncing time: < 10ms

Test voltage M12 plug: 2.0 kV

Electrical Data - Contact Element acc. to IEC/EN 60947-5-1

(VDE 0660 sect. 200)

Utilisation category: alternating current AC15 direct current DC13 Rated

Operating voltage Ue: 240V / 120V 250V /

125V / 60V / 24V

Rated operating current Ie: 1.5A / 3A 0.27A /

0.55A / 1A / 2A

Breaking capacity: 10Ie 1.1Ie

Continuous thermal current: 4A (40°C) 2.5A

Electrical Data - diode LED: max. 30 V AC/DC, typ. 14 mA

(at 24 V DC)

Equipped: yes

Colour: dark-grey bottom part/light-

grey cover

MBM124_GR_TLI

About Us

Pushbuttons/Switches

Panel Mount Jacks

Emergency-Stop Buttons

Bus Technology

RFID

→ Enclosures

Pedal Switches

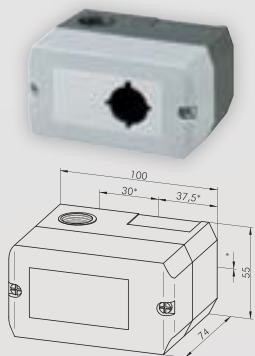
Terminal Blocks

Type Index

Insulated Plastic Enclosures

Illustration	Dimensions	Description	Type
--------------	------------	-------------	------

IP65



*Dimensions for fastening holes

Insulated plastic enclosure, 1 mounting hole

made of polyamide 6, empty or equipped, with front plate (engraving, printing or laser marking on request)

Equipped: no
 Weight: 165 g
 Material: polyamide 6
 Cable entry: M20x1.5

Mounting holes: 0
 Panel cut-out: without mounting hole
 Colour: dark-grey bottom part/light-grey cover

DIRLTV

0
 without mounting hole
 colour: dark-grey bottom part/yellow cover

DIRLTVGB

Mounting holes: 1
 Panel cut-out: Ø 16.2 mm
 Colour: dark-grey bottom part/light-grey cover

DIRLTV-R16

1
 Ø 16.2 mm
 colour: dark-grey bottom part/yellow cover

DIRLTVGB-R16

Mounting holes: 1
 Panel cut-out: Ø 22.3 mm
 Colour: dark-grey bottom part/light-grey cover

DIRLTV-R22

1
 Ø 22.3 mm
 colour: dark-grey bottom part/yellow cover

DIRLTVGB-R22

Mounting holes: 1
 Panel cut-out: Ø 30.5 mm
 Colour: dark-grey bottom part/light-grey cover

DIRLTV-R30

1
 Ø 30,5 mm
 Farbe: dark-grey bottom part/yellow cover

DIRLTVGB-R30

Mounting holes: 1
 Panel cut-out: 23 x 23 mm
 Colour: dark-grey bottom part/light-grey cover

DIRLTV-Q23

1
 23 x 23 mm
 colour: dark-grey bottom part/yellow cover

DIRLTVGB-Q23

Mounting holes: 1
 Panel cut-out: 24 x 24 mm
 Colour: dark-grey bottom part/light-grey cover

DIRLTV-Q24

1
 24 x 24 mm
 colour: dark-grey bottom part/yellow cover

DIRLTVGB-Q24

Mounting holes: 1
 Panel cut-out: 26 x 26 mm
 Colour: dark-grey bottom part/light-grey cover

DIRLTV-Q26

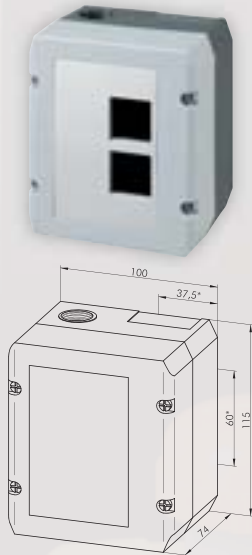
1
 26 x 26 mm
 Colour: dark-grey bottom part/yellow cover

DIRLTVGB-Q26

Insulated Plastic Enclosures

Illustration Dimensions Description Type

IP65



*Dimensions for fastening holes

Insulated plastic enclosure, 2 mounting holes

made of polyamide 6, empty or equipped, with front plate (engraving, printing or laser marking on request)

Equipped: no
Weight: 270 g
Material: polyamide 6
Cable entry: M20x1.5

Panel cut-out:	without mounting hole	
Colour:	dark-grey bottom part/light-grey cover	DIRL2-3V
Mounting holes:	2	
Panel cut-out:	Ø 16.2 mm	
Colour:	dark-grey bottom part/light-grey cover	DIRL2V-R16
Mounting holes:	2	
Panel cut-out:	Ø 22.3 mm	
Colour:	dark-grey bottom part/light-grey cover	DIRL2V-R22
Mounting holes:	2	
Panel cut-out:	23 x 23 mm	
Colour:	dark-grey bottom part/light-grey cover	DIRL2V-Q23
Mounting holes:	2	
Panel cut-out:	24 x 24 mm	
Colour:	dark-grey bottom part/light-grey cover	DIRL2V-Q24
Mounting holes:	2	
Panel cut-out:	26 x 26 mm	
Colour:	dark-grey bottom part/light-grey cover	DIRL2V-Q26

Insulated Plastic Enclosures

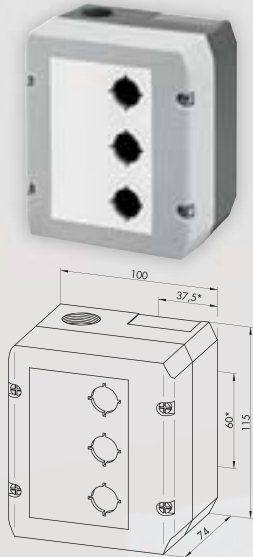
Illustration

Dimensions

Description

Type

IP65



*Dimensions for fastening holes

Insulated plastic enclosure, 3 mounting holes

made of polyamide 6, empty or equipped, with front plate (engraving, printing or laser marking on request)

Equipped: no
 Weight: 270 g
 Material: PA6
 Cable entry: M20x1.5

Mounting holes: 3
 Panel cut-out: Ø 16.2 mm
 Colour: dark-grey bottom part/light-grey cover

DIRL3V-R16

Mounting holes: 3
 Panel cut-out: Ø 22.3 mm
 Colour: dark-grey bottom part/light-grey cover

DIRL3V-R22

Mounting holes: 3
 Panel cut-out: 23 x 23 mm
 Colour: dark-grey bottom part/light-grey cover

DIRL3V-Q23

Mounting holes: 3
 Panel cut-out: 24 x 24 mm
 Colour: dark-grey bottom part/light-grey cover

DIRL3V-Q24

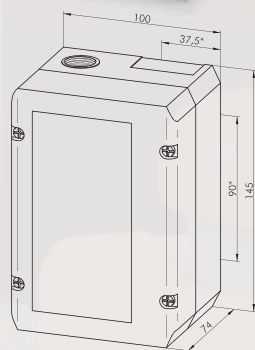
Mounting holes: 3
 Panel cut-out: 26 x 26 mm
 Colour: dark-grey bottom part/light-grey cover

DIRL3V-Q26

Equipped Insulated Plastic Enclosures

Illustration Dimensions Description Type

IP65



*Dimensions for fastening holes

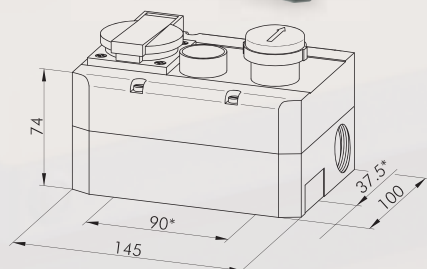
Insulated plastic enclosure, 3 resp. 4 mounting holes

made of polyamide 6, empty or equipped, with front plate (engraving, printing or laser marking on request)

Equipped: no
Weight: 310 g
Material: polyamide 6
Cable entry: M25x1.5

Panel cut-out:	without mounting hole	
Colour:	dark-grey bottom part/light-grey cover	DIRL4V
Mounting holes:	4	
Panel cut-out:	Ø 16.2 mm	
Colour:	dark-grey bottom part/light-grey cover	DIRL4V-R16
Mounting holes:	4	
Panel cut-out:	Ø 22.3 mm	
Colour:	dark-grey bottom part/light-grey cover	DIRL4V-R22
Mounting holes:	4	
Panel cut-out:	23 x 23 mm	
Colour:	dark-grey bottom part/light-grey cover	DIRL4V-Q23
Mounting holes:	4	
Panel cut-out:	24 x 24 mm	
Colour:	dark-grey bottom part/light-grey cover	DIRL4V-Q24
Mounting holes:	4	
Panel cut-out:	26 x 26 mm	
Colour:	dark-grey bottom part/light-grey cover	DIRL4V-Q26

IP54



Elevator safety control station I

Insulated plastic enclosure made of polyamide 6, printed "STOP", including 1 emergency-stop with yellow arrow marking which clearly defines the switching position, 1 illuminated pushbutton for the hoist-way lighting and a Schuko socket

Equipped: yes
Cable entry: M25x1.5

Colour: dark-grey bottom part/yellow cover **DIR/GRU-I**

About Us

Pushbuttons/Switches

Panel Mount Jacks

Emergency-Stop Buttons

Bus Technology

RFID

Enclosures

Pedal Switches

Terminal Blocks

Type Index

Insulated Plastic Enclosures

Illustration

Dimensions

Description

Type

IP54



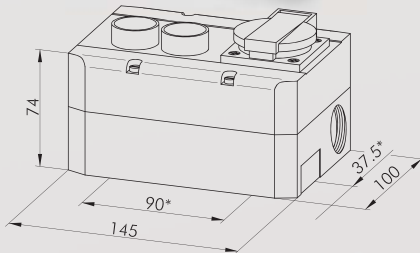
Elevator safety control station II

Insulated plastic enclosure made of polyamide 6, including 1 illuminated pushbutton for the hoistway lighting, 1 alarm pushbutton and a Schuko socket

Equipped: yes
Cable entry: M25x1.5

Colour: dark-grey bottom part/light-grey cover

DIR/GRU-II



IP54



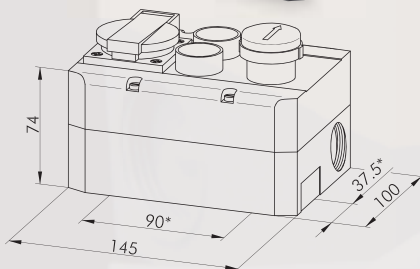
Elevator safety control station III

Insulated plastic enclosure made of polyamide 6, printed "STOP", including 1 emergency-stop with yellow arrow marking which clearly defines the switching position, 1 illuminated pushbutton for the hoistway lighting, 1 alarm pushbutton and a Schuko socket

Equipped: yes
Cable entry: M25x1.5

Colour: dark-grey bottom part/yellow cover

DIR/GRU-III



IP65



Emergency-stop station for the elevator cage roof

Insulated plastic enclosure marked STOP. The yellow arrow on the emergency-stop clearly defines the switching position. The standard version includes 1 NC (screw connection).

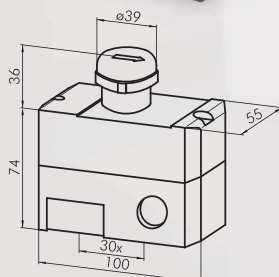
Acc. to the EN81 regulations new lifts have to be equipped with an emergency-stop switch with switching position indicator.

Equipped: yes
Cable entry: M20x1.5

Panel cut-out: Ø 22.3 mm

Colour: dark-grey bottom part/yellow cover

DIR1GB_OS



Insulated Plastic Enclosures

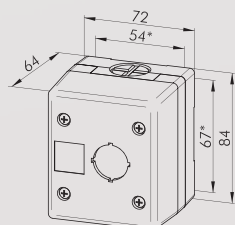
Illustration

Dimensions

Description

Type

IP65



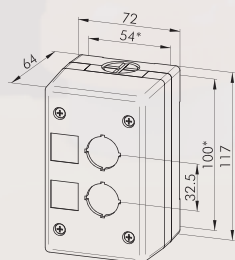
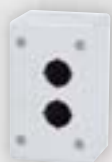
Insulated plastic enclosure, 1 mounting hole

Fastening holes: Ø 5.2mm
 Equipped: no
 Weight: 165 g
 Material: ABS
 Cable entry: with PVC cable entry on the top: Ø 20.2 mm
 break-through wall at the bottom: Ø 20.2 mm

Mounting holes: 1
 Panel cut-out: Ø 22.3 mm
 colour: light-grey
 Colour: yellow

 IRL1M
 IRL1M_GELB

IP65



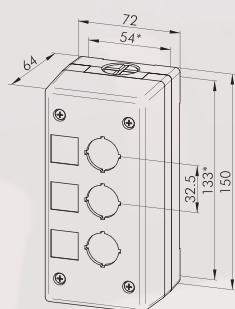
Insulated plastic enclosure, 2 mounting holes

Fastening holes: Ø 5.2mm
 Equipped: no
 Weight: 195 g
 Material: ABS
 Cable entry: with PVC cable entry on the top: Ø 20.2 mm
 break-through wall at the bottom: Ø 20.2 mm

Mounting holes: 2
 Panel cut-out: Ø 22.3 mm
 Colour: light-grey

 IRL2M

IP65



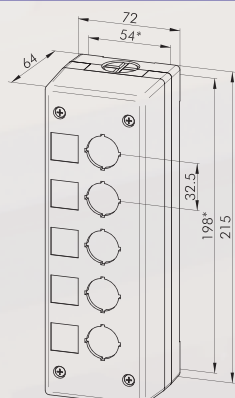
Insulated plastic enclosure, 3 mounting holes

Fastening holes: Ø 5.2mm
 Equipped: no
 Weight: 230 g
 Material: ABS
 Cable entry: with PVC cable entry on the top: Ø 20.2 mm
 break-through wall at the bottom: Ø 20.2 mm

Mounting holes: 3
 Panel cut-out: Ø 22.3 mm
 Colour: light-grey

 IRL3M

IP65



Insulated plastic enclosure, 5 mounting holes

Fastening holes: Ø 5.2mm
 Equipped: no
 Weight: 300 g
 Material: ABS
 Cable entry: with PVC cable entry on the top: Ø 20.2 mm
 break-through wall at the bottom: Ø 20.2 mm

Mounting holes: 5
 Panel cut-out: Ø 22.3 mm
 Colour: light-grey

 IRL5M

Equipped Insulated Plastic Enclosures

Illustration

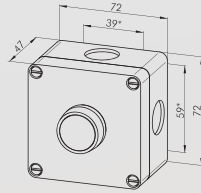
Dimensions

Description

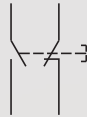
Type

IP65

6 mm



Equipped insulated plastic enclosure for one actuator

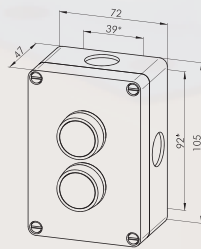


Fastening holes: Ø 4.2mm
 Contact equipment: 1NC + 1NO
 Equipped: yes
 Weight: 115 g
 Material: ABS
 Cable entry: on the top/bottom: 21 mm dia. on the side/back: 21 mm dia./19 mm dia.
 Switching function: momentary action
 Mounting holes: 1
 Colour: light-grey

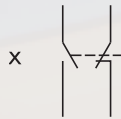
 IRF1

IP65

6 mm



Equipped insulated plastic enclosure for two actuators



Fastening holes: Ø 4.2mm
 Contact equipment: 1NC + 1NO (per switching point)
 Equipped: yes
 Weight: 171 g
 Material: ABS
 Cable entry: on the top/bottom: 21 mm dia. on the side/back: 21 mm dia./19 mm dia.
 Switching function: momentary action
 Mounting holes: 2
 Colour: light-grey

 IRF2

Equipped Insulated Plastic Enclosures

Illustration

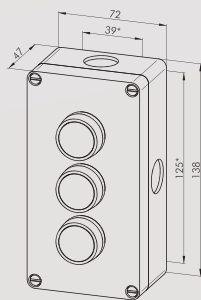
Dimensions

Description

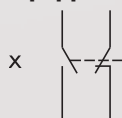
Type

IP65

↓ 6 mm



Equipped insulated plastic enclosure for three actuators



Fastening holes: Ø 4.2mm

Contact equipment: 1NC + 1NO (per switching point)

Equipped: yes

Weight: 217 g

Material: PA6

Cable entry: on the top/bottom: 21 mm dia. on the side/back: 21 mm dia./19 mm dia.

Switching function: momentary action

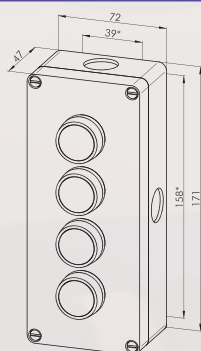
Mounting holes: 3

Colour: light-grey

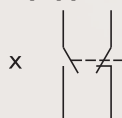


IP65

↓ 6 mm



Equipped insulated plastic enclosure for four actuators



Fastening holes: Ø 4.2mm

Contact equipment: 1NC + 1NO (per switching point)

Equipped: yes

Weight: 269 g

Material: PA6

Cable entry: on the top/bottom: 21 mm dia. on the side/back: 21 mm dia./19 mm dia.

Switching function: momentary action

Mounting holes: 4

Colour: light-grey

