

4

3

2

1

THIS DRAWING IS UNPUBLISHED.

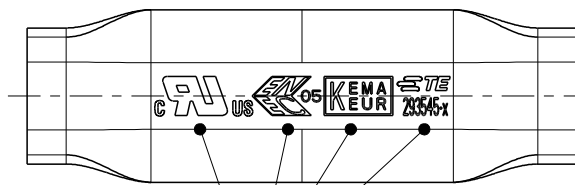
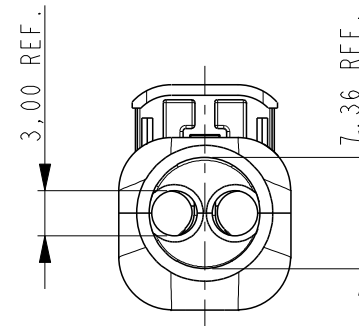
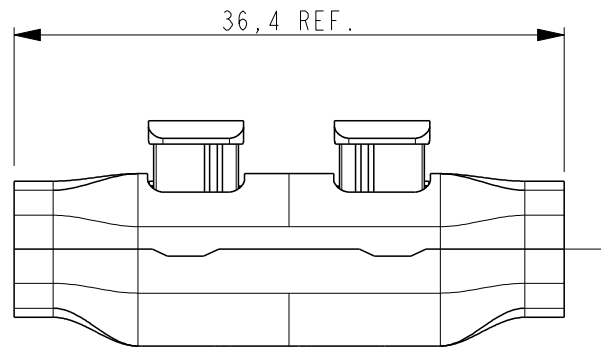
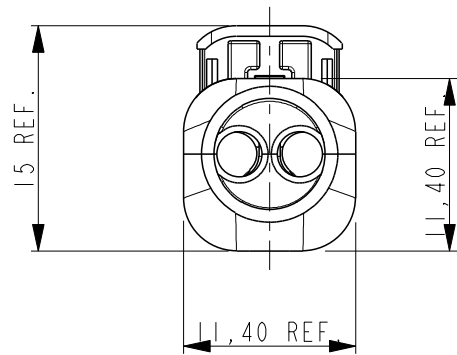
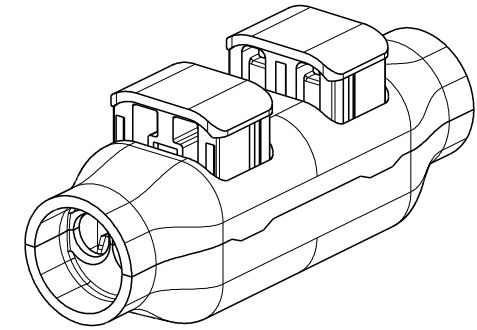
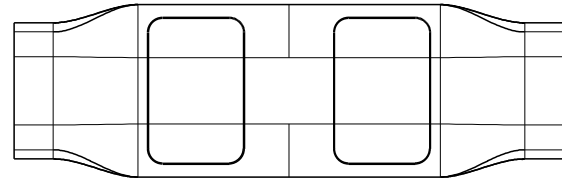
RELEASED FOR PUBLICATION

© COPYRIGHT - new logo 2011

ALL RIGHTS RESERVED.

LOC	DIST	REVISIONS					
		P	LTR	DESCRIPTION	DATE	DWN	APVD
H	-		E	CHANGES PER ECR-11-005299	14MAR2011	PP	JK
			F	CHANGES PER ECR-11-006548	21OCT2011	PP	JK
			G	CHANGES PER ECR-12-004118	02MAR2012	PP	JK

- NOTES:**
- 1 CONNECTOR ACCEPT MULTIPLE WIRES SIZES: SEE TABLE.
  - 2 HOUSING AND BUTTON MATERIAL : POLYCARBONATE
  - 3 IDC CONTACT MATERIAL: PhBR
  - 4 PRINTING LOGO'S: P/N 293545-1 and -2: UL, ENEC, KEMA, PARTNUMBER, TE.
  - 5 PRINTING LOGO'S: P/N 293545-3 and -4: UL, PARTNUMBER, TE.



SEE NOTE 4 & 5

HOUSING COLOR	PARTNUMBER	DESCRIPTION	CABLE SIZE
YELLOW TRANSPARENT	293545-4	SPlicing CONNECTOR SEALED	AWG 20 (0.52mm <sup>2</sup> ) / AWG 22 (0.33mm <sup>2</sup> )
	293545-3	SPlicing CONNECTOR UNSEALED	AWG 20 (0.52mm <sup>2</sup> ) / AWG 22 (0.33mm <sup>2</sup> )
NATURAL TRANSPARENT	293545-2	SPlicing CONNECTOR SEALED	AWG 18 (0.82mm <sup>2</sup> ) TO 1mm <sup>2</sup>
	293545-1	SPlicing CONNECTOR UNSEALED	AWG 18 (0.82mm <sup>2</sup> ) TO 1mm <sup>2</sup>

THIS DRAWING IS A CONTROLLED DOCUMENT.		DWN J.v.d.Krogt 04MAR2010				
DIMENSIONS: mm		CHK J.v.d.Krogt 04MAR2010			NAME SPlicing CONNECTOR	
		APVD O.Leijnse 06MAR2010			PRODUCT SPEC 108-19419	
TOLERANCES UNLESS OTHERWISE SPECIFIED:		APPLICATION SPEC 114-19136	SIZE A3	CAGE CODE 00779	DRAWING NO C-293545	RESTRICTED TO -
MATERIAL SEE NOTES		FINISH SEE NOTES	SCALE 2:1		SHEET 1 OF 1	REV G
CUSTOMER DRAWING						

D  
C  
B  
A